



'A' SERIES OPEN WOOD BURNING FIRE INSTALLATION BRIEF

IMPORTANT

This fire is not classified as a woodburner under the MFE NES. Please confirm with your local building authority.

All **Broady's Firepower** fireplaces must be installed to the requirements of the Standard AS/NZS 2918-2001 and the instructions supplied by us and/or with the appliance. This includes the 'Finishing' of each installation e.g. the correct venting, hearth sizing and fascia and/or mantle surrounds.

Broady's NZ Limited do not undertake installation and/or site work associated with the installation of the products we sell, nor warranty their installation.

We recommend a Registered Installer with the NZ Home Heating Association, of which Broady's are also a member. We have a list of these installers, or if preferred visit their website for a current list at www.nzha.co.nz/membership.asp.

By listing these Installers, it is not implied nor inferred that Broady's recommend them or their work.

As the contract for installation is between you and the chosen Installer, please install due directly to them; normally on completion of the installation.

Any possible issues regarding your installation are to be addressed to the installer. (KEEP THEIR NAME ON FILE)

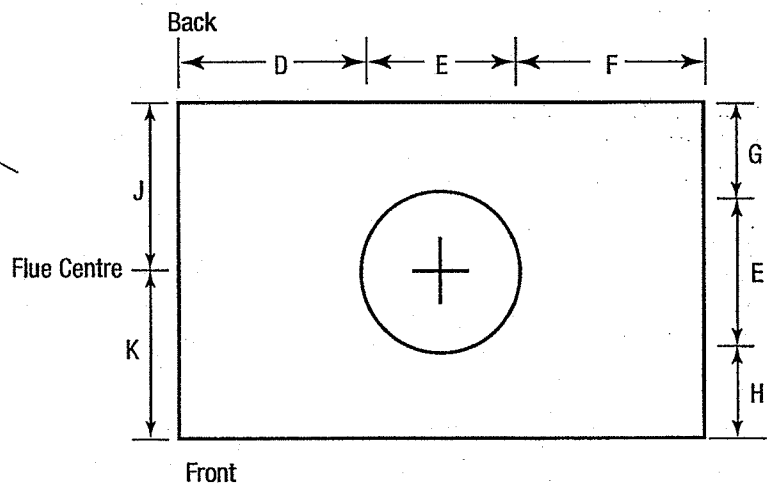
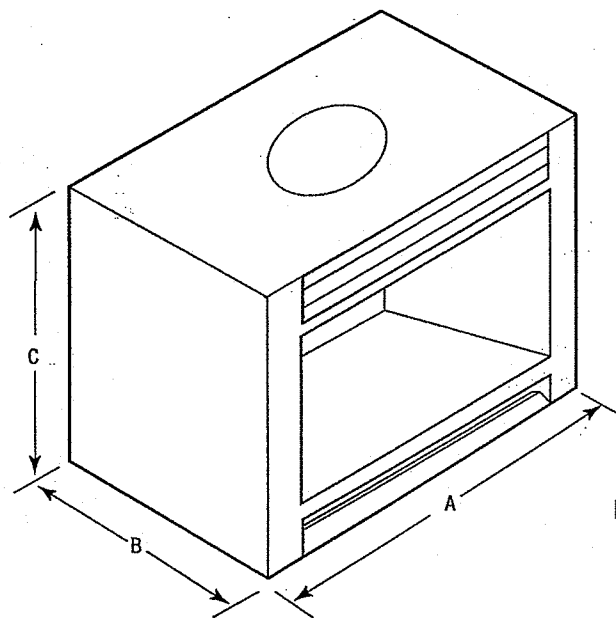
Building Consents (Permits)

It is the homeowners responsibility to have the correct permit lodged and accepted by the local building authority. Your installer can assist with this and in some cases undertake the complete application, lodgement, payment, etc. on your behalf.

'A' Series for installation in either timber & plaster board or non combustible materials

The **Broady's Firepower** convector fireplace system comes as a fully self contained fireplace kit. The firebox, grate, ashtray and flue system are the components in the kit. A lightweight plinth is necessary for easy installation on timber floors.

Building a fireplace using a **Broady's Firepower** system is a lot easier than building a full masonry chimney. With the 'A' Series fully insulated models, customers have the option of using either brickwork or timber and plaster board to create any style of open fireplace.



Dimensions

Flue System sizes

Model	A	B	C	D	E	F	G	H	J	K	Flue Pipe	Inner baffle	Outer Liner
A450	595	395	670	172	250	172	75	70	195	200	150mm	200mm	250mm
A650	840	470	680	282	275	282	120	75	255	215	175mm	225mm	275mm
A750	910	495	680	305	300	305	120	75	270	225	200mm	250mm	300mm
A900	1060	565	740	380	300	380	165	100	315	250	200mm	250mm	300mm



BRIEF

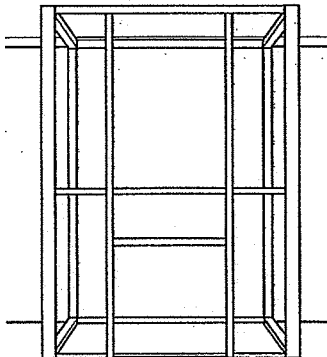
The 'A' Series model is fully insulated with Rockwool Insulation which apart from giving greater efficiency, enables you to install the **Broady's Firepower** by framing the unit with timber and lining the chimney walls with plasterboard or similar products/materials to minimum clearances.

These insulated **Broady's Firepower** units have been tested to NZ Standard 7421-1990. Clearances vary for each model and you should check local council regulations before installing your fireplace.

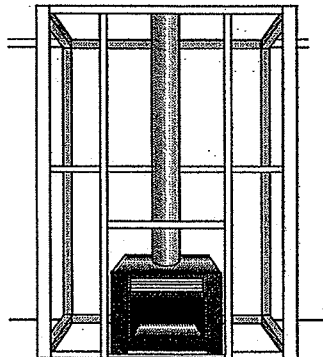
The units do not need expensive foundations and can be easily installed on timber floors using the unique **Broady's Insulated Plinth** and floor protector in front.

The units have many applications including installation into existing homes, multi storey situations, kitset holiday homes, and outdoor fires requiring light weight construction.

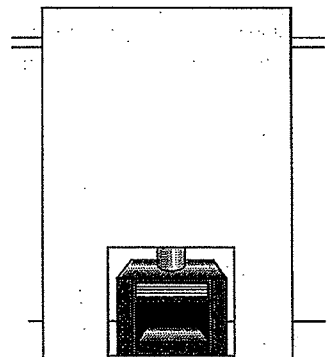
- 1 After sizing your **Broady's Firepower** model, erect the frame allowing for side, top and rear clearances.



- 2 Install the **Broady's Firepower** unit on selected floor protector (or for wooden floors, using the **Broady's Insulated Plinth**). Flue sections as per specifications, are then installed to standards before cladding.



- 3 Enclose framing with plaster or timber panelling, ensure approved clearances are maintained.



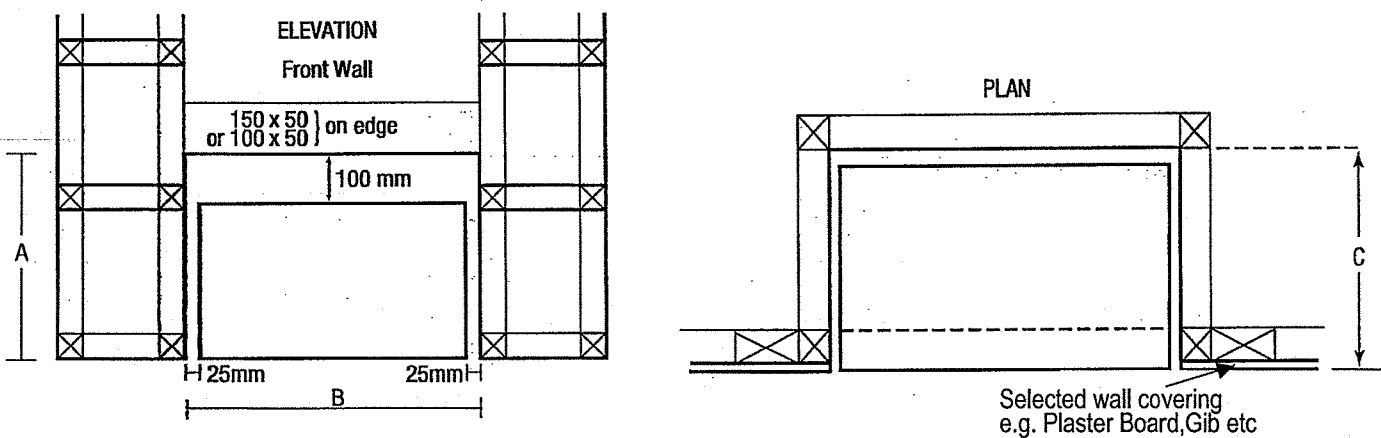
- 4 Ensure the front face of the Firebox is flush with the selected wall covering before seismic restraints are secured in place.
- 5 Choose from the vast range of cast-iron, decorative or plain metal fascias, either in matching black or stainless steel finish. You can complete your fireplace in any style you desire. (refer to back page for examples)
- 6 Complete the floor protector – refer to min. dimensions using approved materials.



TIMBER FRAMING SPECIFICATIONS

1 Minimum Framing Dimensions on Non-combustible Floor or Raised Base

Model No	Height from Floor Protector (A)	Width (B)	Depth (C)
A450	770mm	645mm	430mm
A650	780mm	890mm	505mm
A750	780mm	960mm	530mm
A900	840mm	1110mm	600mm



2 Minimum Framing Dimensions when using Broady's Insulated Plinth on combustible floor

Model No	Height A (from floor)	Width B	Depth C
A450	860mm	665mm	435mm
A650	870mm	910mm	515mm
A750	870mm	975mm	535mm
A900	930mm	1130mm	605mm

- 1) We suggest the Floor Protector is covered (e.g. tiled) first for a neater finish and to enable the firebox to be easily slid into position or easily removed in the future.
- 2) Depth is measured from face of wall covering. 'A' Series Firebox are installed flush to this face.
- 3) NB when installing a **Broady's Insulated Plinth** on a wooden floor it is advisable to position this first **before** framing, due to small variations in their manufacture. Refer to separate page re-installation of Plinth.

VENTING

A-Series in combustible cavities require venting to induce cooling air to cavity

100mm square plastic vents, either standard or louvred are fixed to wall cavities as follows.

(Alternately use similar sized styles ie. cast alloy)

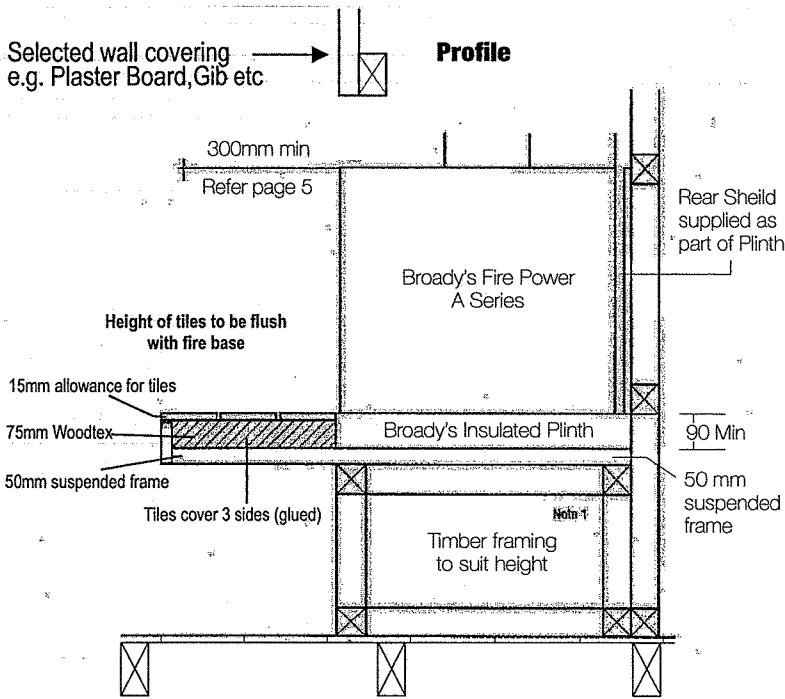
These are positioned at the base of cavity above floor protector, either internally or on external walls

- A 900—4 one each side/2 to rear
- A 750—3 one each side/1 to rear
- A 650—2 one each side
- A 450—2 one each side

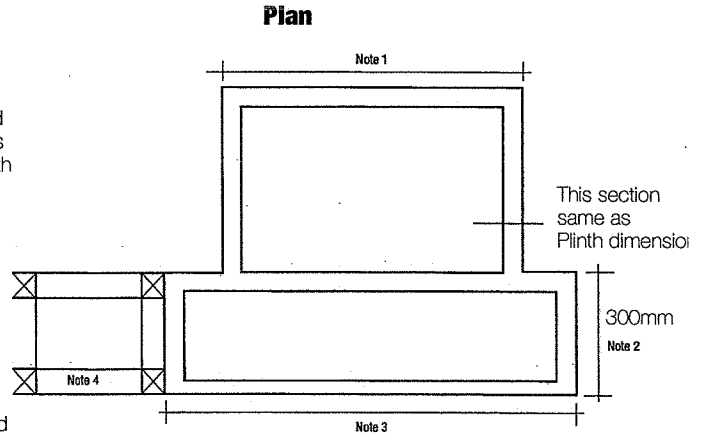


PROFILES

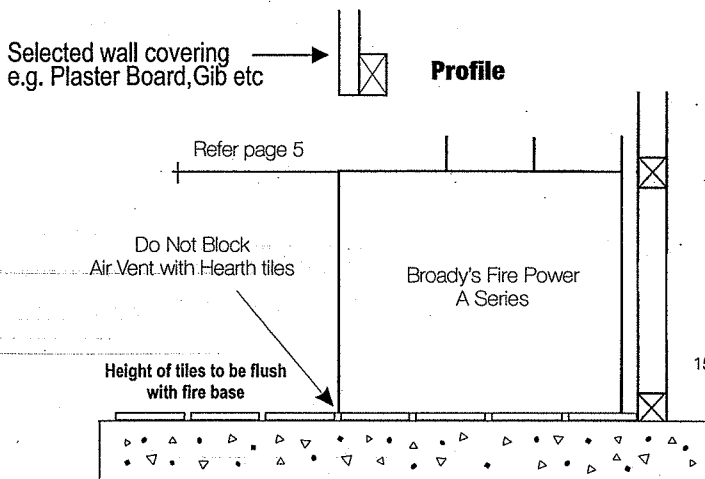
RAISED ON BROADY'S SUSPENDED FRAME



SUSPENDED FRAME DIMENSIONS

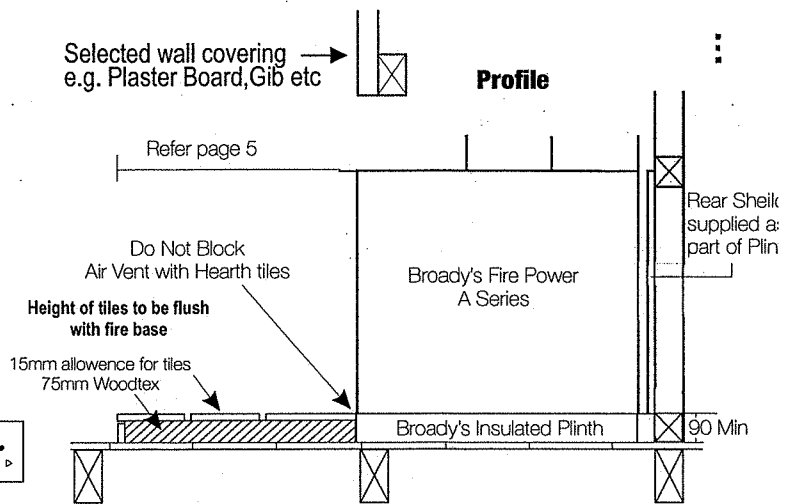


NON-COMBUSTIBLE FLOOR



CONCRETE FLOOR

COMBUSTIBLE FLOOR



TIMBER FLOOR

Notes 1 + 2 + 3 Refer to minimum dimensions on page 3 & 5 in main instructions.

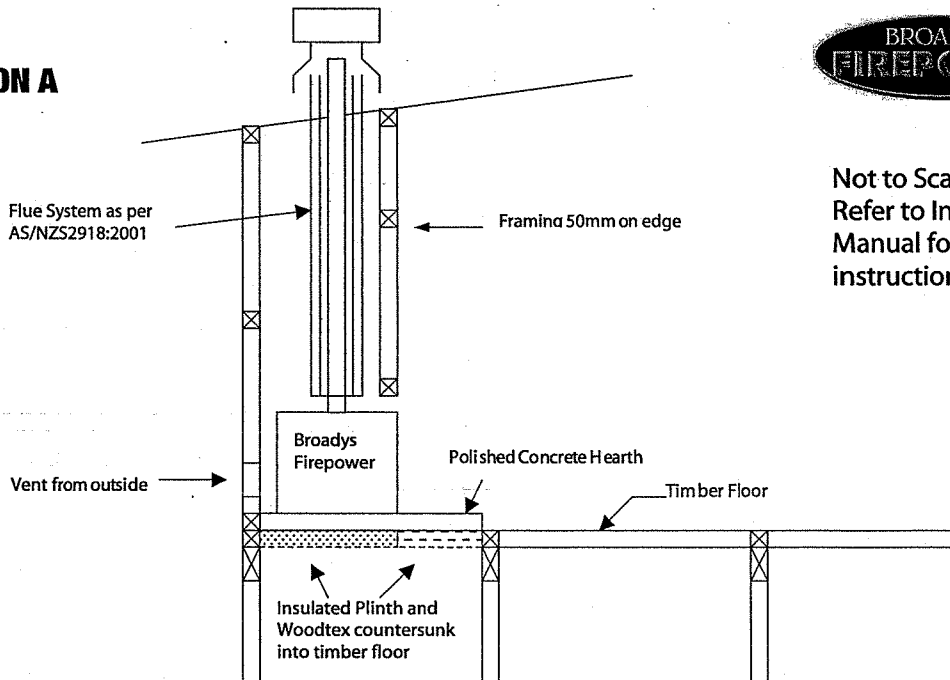
Note 4 SHOULD A WIDER HEARTH BE REQUIRED TIMBER CAN BE BOLTED TO SUSPENDED FRAME TO WIDTH

Notes: **Broady's Insulated Plinth** and **Woodtex Floor Protector** installation instructions are detailed on page 5.

Timber Floor options cont.

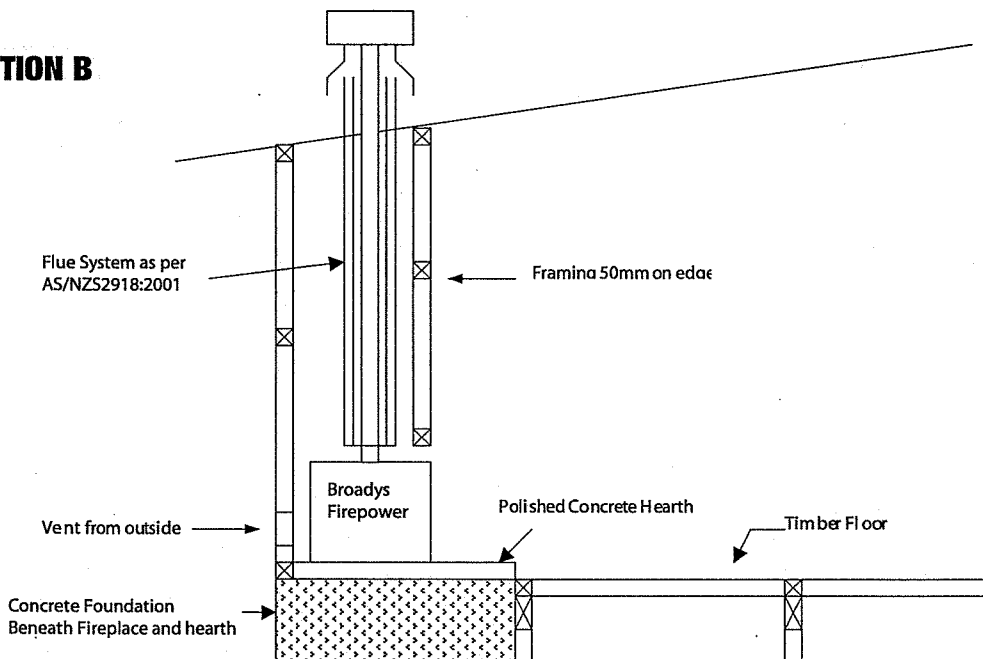


OPTION A

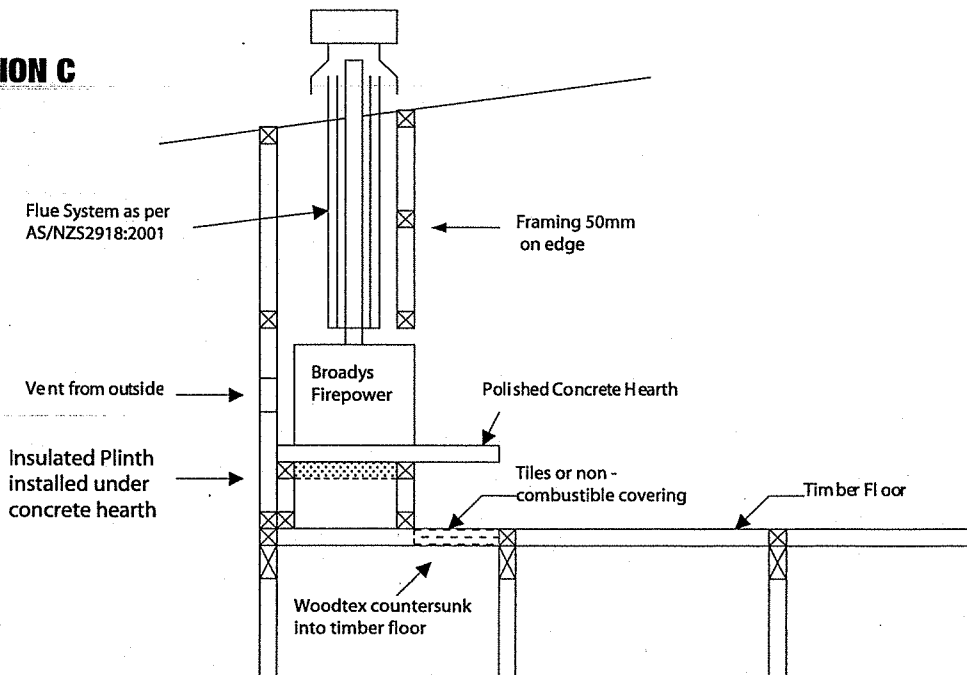


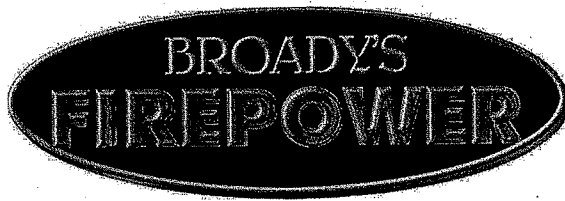
Not to Scale and Refer to Installation Manual for full instructions

OPTION B



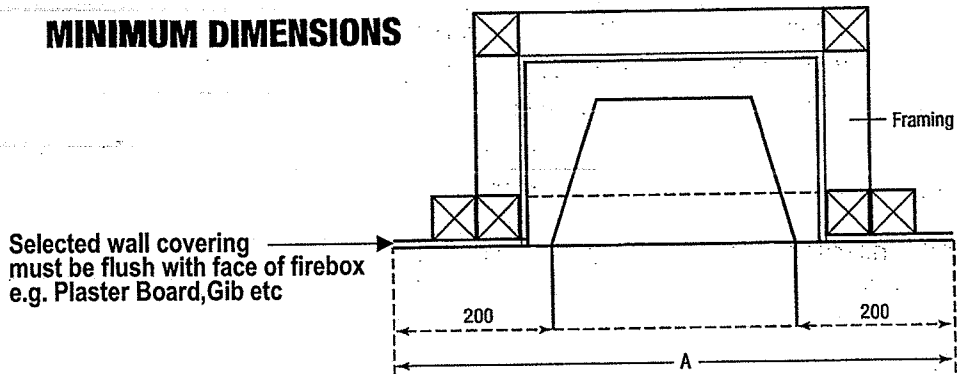
OPTION C





FLOOR PROTECTION

1 MINIMUM DIMENSIONS

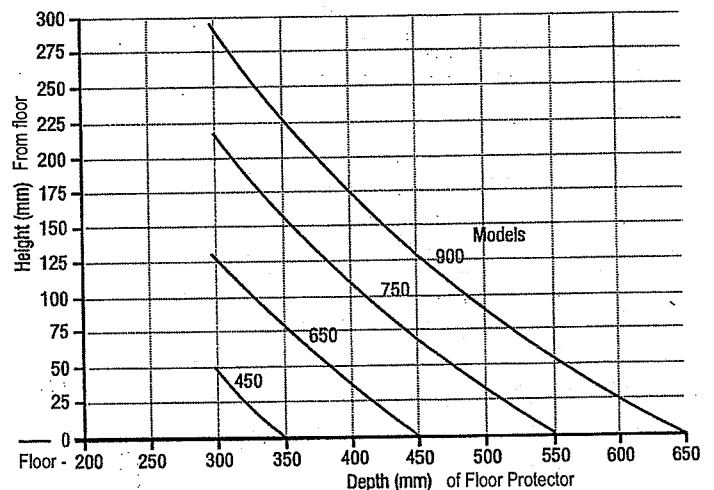


A WIDTH 200mm each side of firebox opening

Model	Minimum width
450	850mm
650	1050mm
750	1150mm
900	1300mm

B DEPTH/HEIGHT

The depth of each floor protector is related to the height of the firebox from the floor as determined in this graph. A minimum depth of 300mm must be maintained.



2 CONSTRUCTION

A NON-COMBUSTIBLE FLOORS

Floor protection is not necessary (however this is recommended).

Floor coverings if used eg carpet, timber, vinyl must be trimmed to the above minimum clearances.

B COMBUSTIBLE FLOORS OR RAISED CONSTRUCTION

This can only be achieved using the Broady's Insulated Plinth beneath the firebox and 75mm Woodtex floor protector in front to minimum depth. The combination of these two plus tiles / slate etc totals a 90mm height for the floor protector. Please refer below separate page on installation requirements.

3 BROADY'S FIREPOWER INSULATED PLINTH AND WOODTEX FLOOR PROTECTOR

This unique product enables easy lightweight construction of Broady's Firepower Fireplaces directly onto timber floors or framing if a raised fire is required.

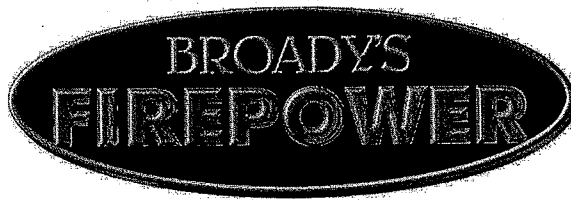
NB No other material is to be used either under or in front of the Broady's Firepower unit when installing as above.

Steps:

- Place plinth on floor or raised timber framing.
- Secure by nailing through channels on sides.
- Rear heat shield is positioned behind the plinth to the rear wall. Notched section to bottom inside plinth.
- Timber can now be framed against sides. Refer to Section 3 of Framing Instructions.
- 75mm Woodtex floor protector is glued or nailed to the floor/framing in front. Refer to minimum dimensions above.
- This is then tiled to a flush finish with the plinth (i.e. 15mm allowance) either before or after fitting the Broady's Firepower. For thicker surfaces (i.e. concrete slab), lower the Woodtex into the floor. **DO NOT REDUCE THE 75MM THICKNESS.**

4 SEISMIC RESTRAINT

- On Non-Combustible Surfaces use 4 x angle brackets to sides nailed/screwed to surface.
- Broady's Insulated Plinth refer to plinth instructions to secure to floor then using 2 x brackets securing Broady's Firepower to the front of the plinth.

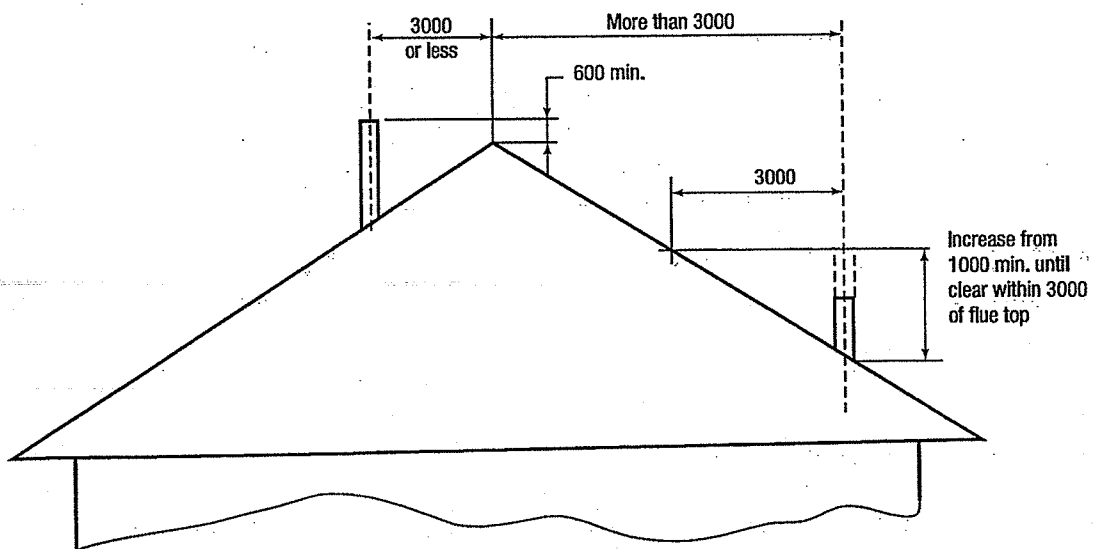
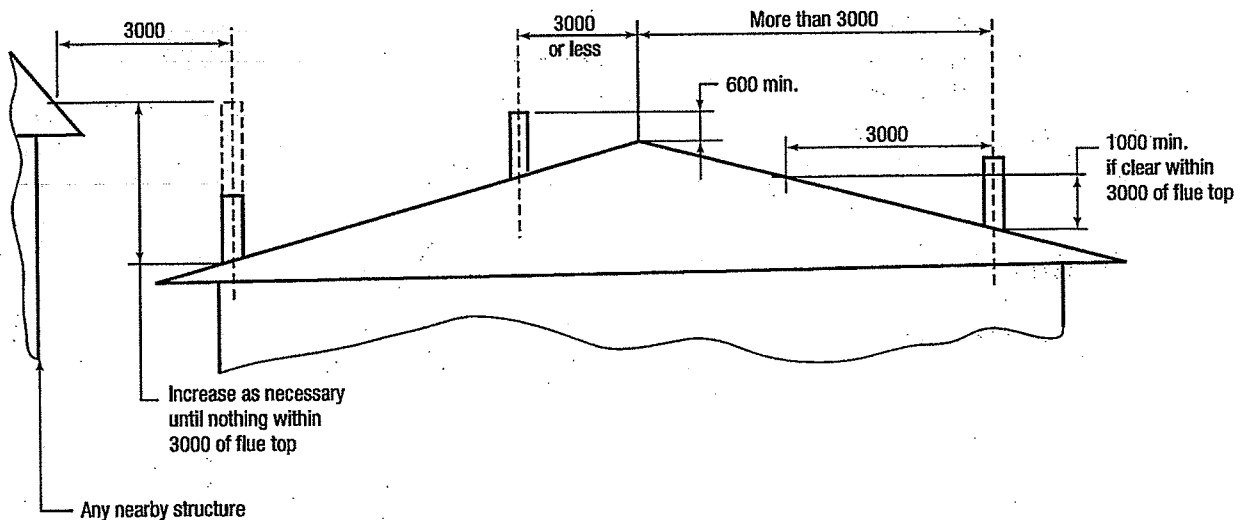


EXTERNAL REQUIREMENTS AS/NZS 2918:2001

The flue exit shall be located outside the building (drawing) in which the **Broady's Firepower** is to be installed so that:

- the flue pipe shall extend not less than 4.6m above the top of the floor protector.
- the minimum height of the flue system within 3m distance from the highest point of the roof shall be 600mm above that point
- the minimum height of a flue system further than 3m from the highest point of the roof shall be 1000mm above roof penetration
- no part of any building lies in or above a circular area described by a horizontal radius of 3m about the flue system exit.

THESE ARE CONSIDERED TO BE **MINIMUM DIMENSIONS**, AND DEPENDING ON LOCAL CONDITIONS, **TALLER FLUE SYSTEM HEIGHTS MAY BE REQUIRED FOR SATISFACTORY PERFORMANCE.**



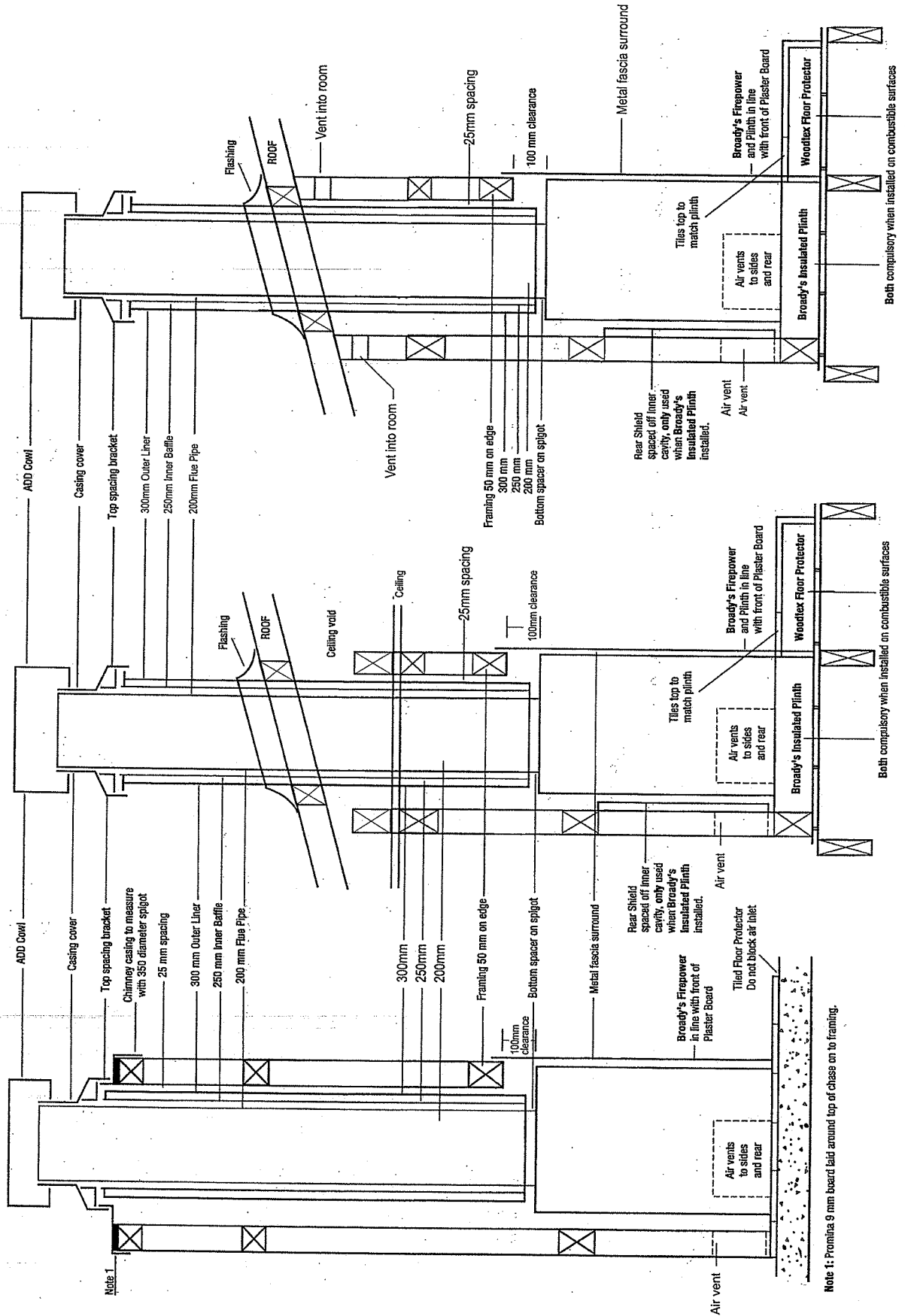
DIMENSIONS IN MILLIMETRES
MINIMUM HEIGHT OF FLUE SYSTEM EXIT



FLUE SYSTEM DIMENSIONS TO SUIT A900 and 750 MODELS

For A650 and 450 refer to Page 1

AS/NZS 2918-2001 minimum height above floor to be 4.6m
(drawing not to scale)



Note 1

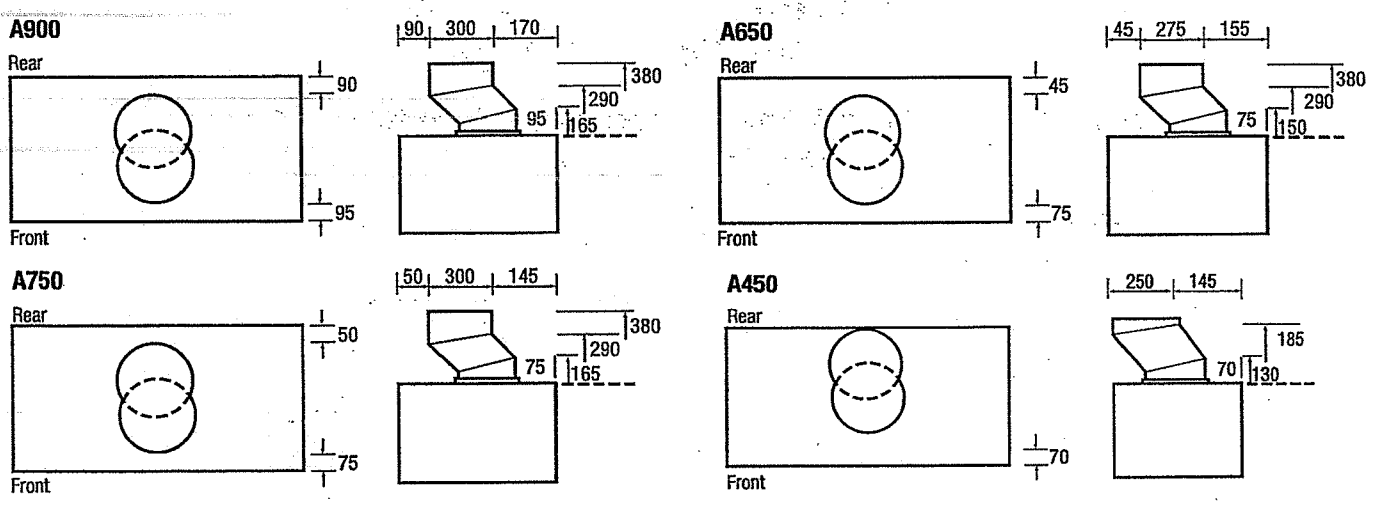
Note 1: Prominca 9 mm beard laid around top of chase on to framing.

Both compulsory when installed on combustible surfaces

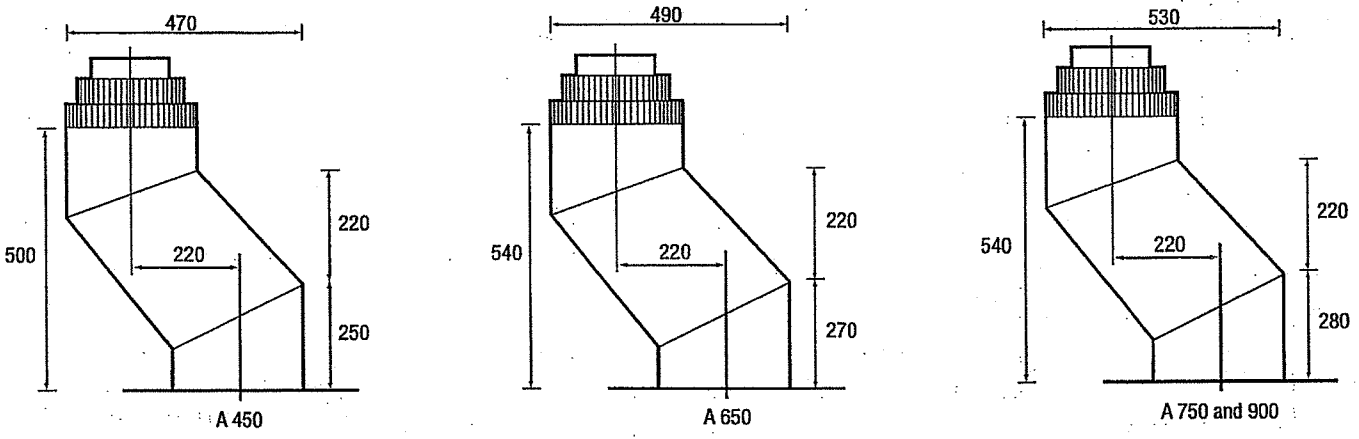
Both compulsory when installed on combustible surfaces



Clearances when using an Offset Flue Spigot



Increased flue offsets combined with Standard Spigot



Larger offsets made to order

CHIMNEY POTS Available in Copper or Stainless Steel

SMALL For 150 – 225 Flue diameter
A 340
B 620
C 480

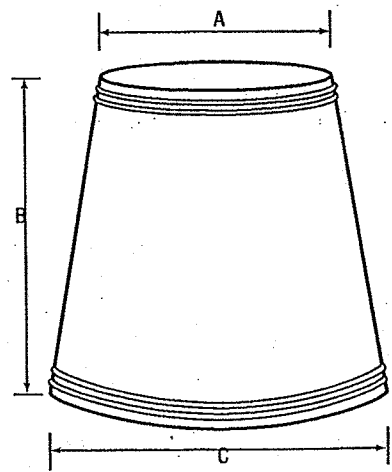
LARGE For 150 – 300 Flue diameter
A 400
B 800
C 575

MINIMUM CHIMNEY COVER SIZES:

SMALL 700 x 700mm
LARGE 900 x 900mm

For double Flue Systems allow a min of 200mm between base diameters. (c)

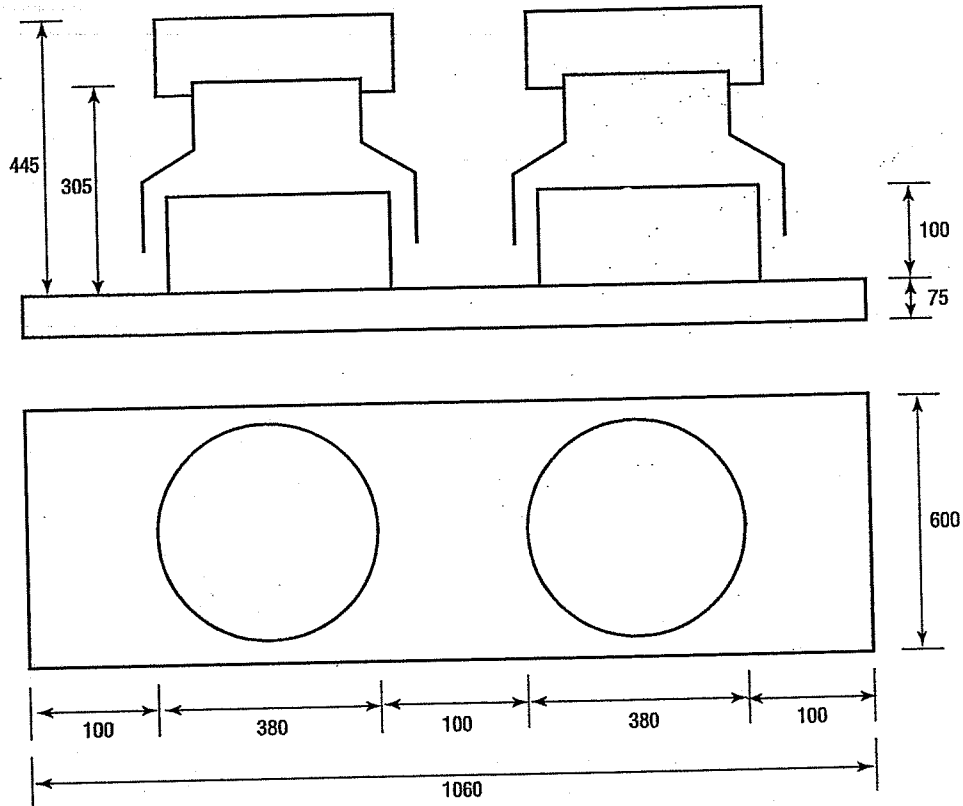
COPPER TRIMS ARE AVAILABLE TO AFFIX TO EDGES OF STAINLESS STEEL CHIMNEY COVER TO COMPLIMENT THE CHIMNEY POT.



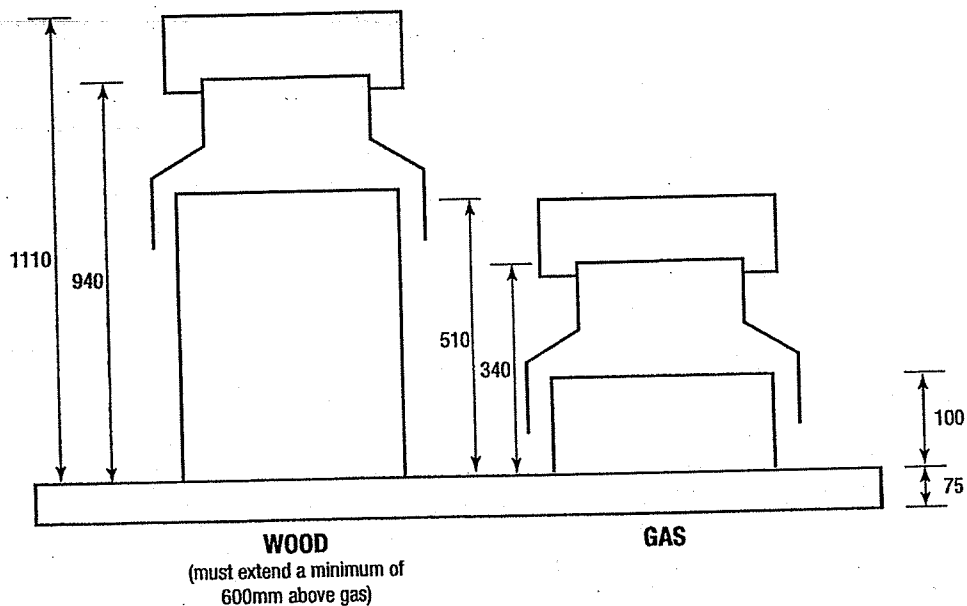


MINIMUM SIZE FOR CHIMNEY COVER FOR A DOUBLE 900/750 Flue System

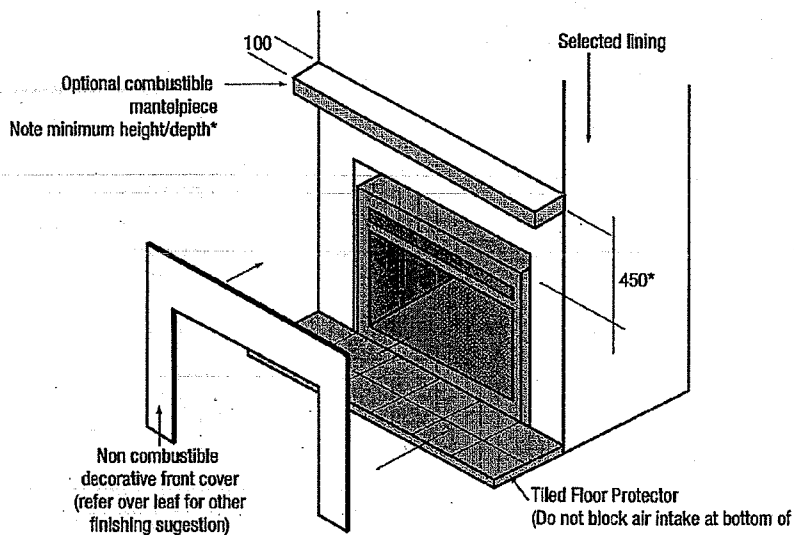
Both wood burning



Minimum sizes for combined wood and gas Double System A900/750



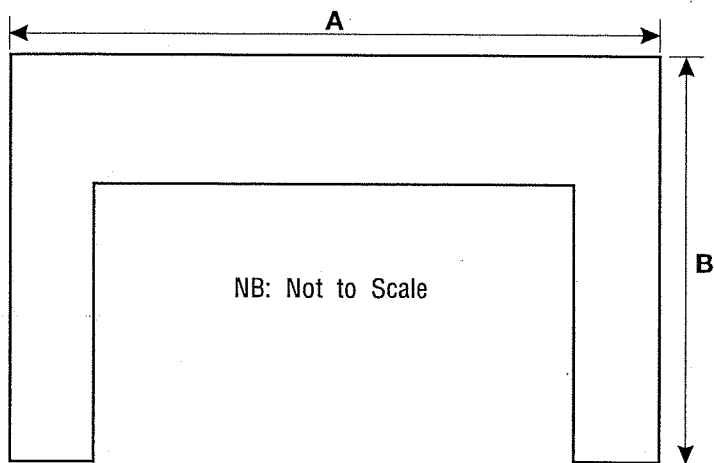
FINISHING



NB - TRADITIONAL MANTEL UPRIGHT DISTANCES

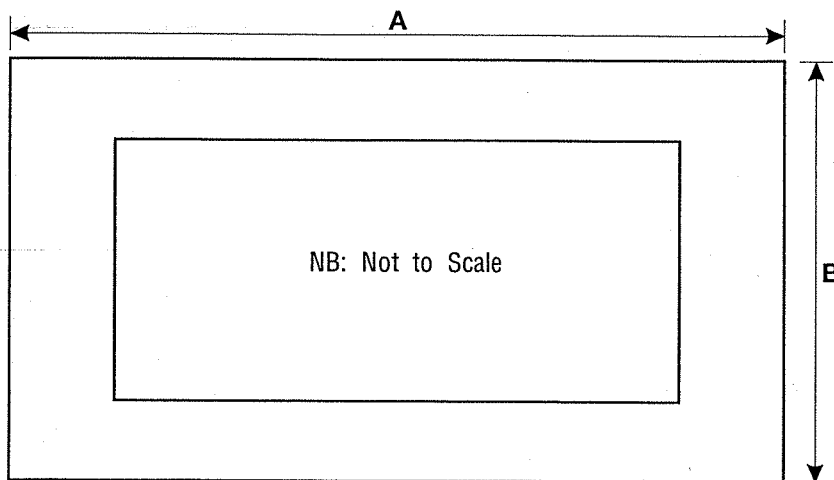
* For deeper combustible shelf:- for every 50mm in depth, increase height by 200mm

STANDARD METAL FASCIAS



Dimensions		
Model	A	B
A450	680	785
A650	920	795
A750	990	795
A900	1140	860

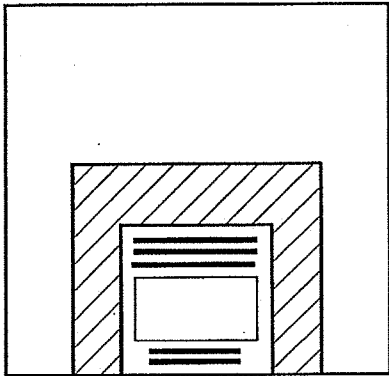
PICTURE FRAME FASCIAS



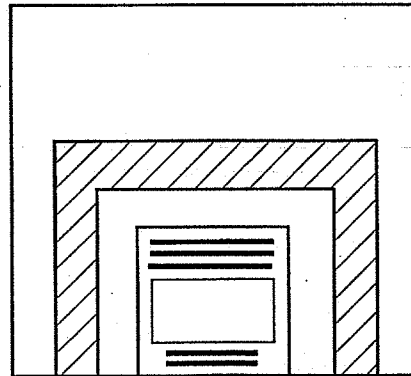
Dimensions		
Model	A	B
A450	680	885
A650	920	895
A750	990	895
A900	1140	960



ALTERNATIVE METHODS OF FINISHING A BROADY'S FIREPOWER INSTALLATION

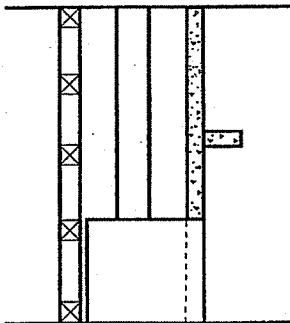


Slate, Stone, Tile etc. directly covering 30mm over sides and Top of 'A' Series Firebox. Instead of Metal Fascia.

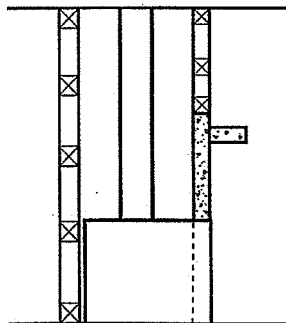


Slate, Stone, Tile etc. surrounding Std. metal (plain or S/Steel) fascia giving a wider and greater contrast effect. (Similar using Cast Iron fascia)

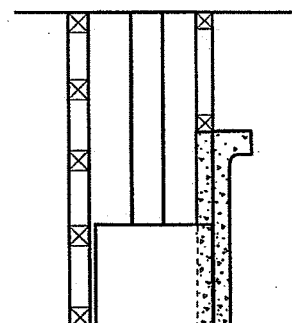
Aerated concrete (ACC) is an ideal material (being light weight concrete block and panel with wide flexibility) to use for the face of any fireplace design.



Whole wall fascias.



Half wall with framing above mantle.



Half wall with ACC Block and ACC surround creating a recess, and using a metal fascia as above.

In both cases 'finish' using either a metal fascia or tiles etc. as detailed above.

In all cases when installing a **combustible** mantelpiece the minimum clearances from the Firebox to the underneath of the mantelpiece must be observed – refer page 7.

NB. Due to the interests of improving manufacture, Broady's reserves the right to alter specifications without notice.

BROADY'S NZ LIMITED

46a SIR WILLIAM AVENUE, EAST TAMAKI, AUCKLAND | PO BOX 58-183, GREENMOUNT, NEW ZEALAND
 TELEPHONE: 0-9-274 0658 • FACSIMILE: 0-9-272 2519 • EMAIL: enquiries@broadys.co.nz
 WEBSITE: www.broadys.co.nz