

Z1200 MODEL INSTALLATION BRIEF IMPORTANT

This model must be installed into a complete Masonry fireplace surround enclosure (No Combustibles). Masonry can be Solid Concrete, Concrete Block, Brick, AAC Block (Hebel).

All Broady's products must be installed to the requirements of the Standard AS/NZS 2918-2001 and the instructions supplied by us and/or with the appliance. This includes the "FINISHING" of your installation e.g. the correct venting, hearth sizing, and fascia and/or mantle surrounds.

Broady's NZ Limited do not undertake installation and/or site work associated with the installation of the products we sell.

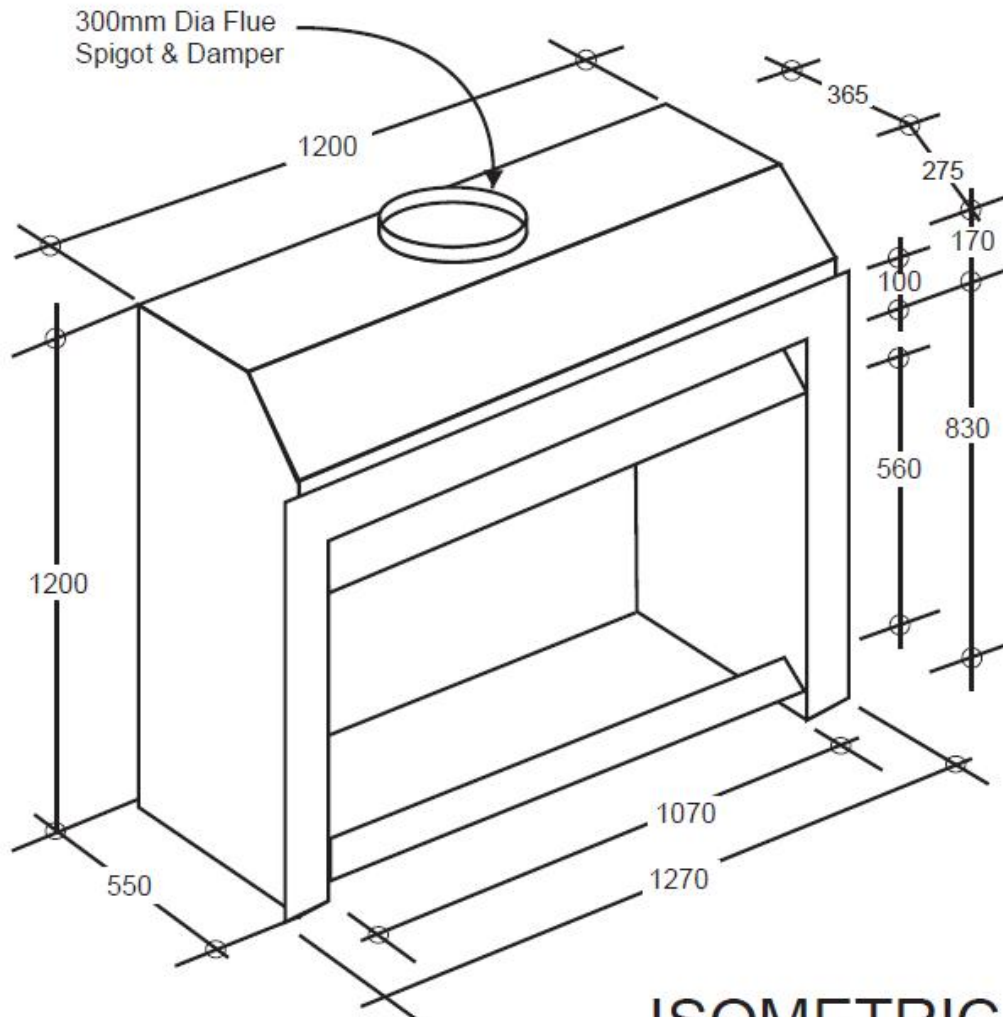
We recommend a Registered Installer with the NZ Home Heating Association, of which Broady's are also a member. We have a list of these installers, or if preferred visit their website for a full and current list at www.nzhha.co.nz/membership.asp.

As the contract for installation is between you and the chosen Installer – payment is due of course directly to them: normally on the completion of the installation when a producer statement is issued.

Any possible issues regarding your installation are to be addressed to the Installer. **KEEP THEIR NAME ON FILE.**

Building Consents (Permits)

It is the house owners responsibility to have the correct permit lodged and accepted by the local building authority. Your Installer can assist with this and in some cases undertake the complete application, lodgement, payment, etc. on your behalf.



ISOMETRIC



Installation Clearances

Base – The Z1200 must be installed over a brick, concrete or other non combustible insulated surface with a minimum thickness of 100mm. We recommend the base is reinforced to carry the weight of the firebox. All areas in front of and to the sides of the firebox must also be brick, concrete or other masonry surface.

Surrounds - The Z1200 must be installed within a brick, masonry or hebel enclosure, with a minimum thickness 75mm. The minimum clearance to brick or masonry with no surrounding combustible material is 50mm. Minimum clearance to brick work or masonry is 235mm around the sides and back of the firebox where combustibles surround the masonry cavity, with a 25mm air gap between masonry and timber. A 360mm clearance must be maintained between the firebox and any combustible material, with continuous heat shield spaced a min 25mm off the combustible material.

Flue System – Must be installed to AS/NZS2918-2001. The Z1200 requires a 300mm Stainless Steel flue. Flue liners are optional within complete masonry chimneys but must have 350/400mm outer liners within timber framed chimney cavities, with a minimum 25mm air clearance between combustible materials and outer liners. Roof and chimney flashing as per AS/NZS2918-2001.

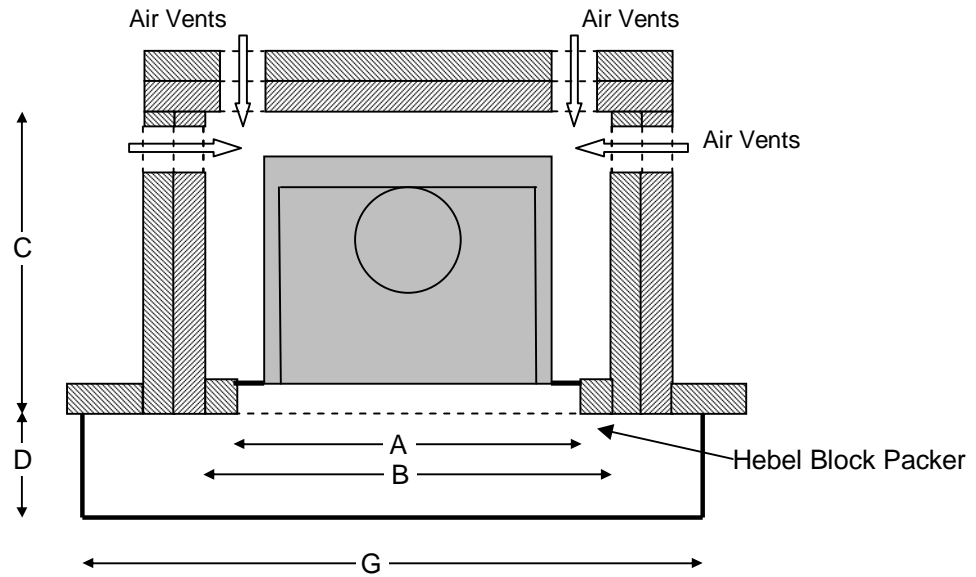
Floor Protection – It is recommended that the Z1200 only be installed in a room, or outside, where all areas in front of and to the sides of the firebox are surrounded in brick, concrete or other masonry surface. It is recommended that a min 100mm thick floor protector, 1800mm wide x 500mm deep. You must maintain a 25mm air gap if there is any timber beneath the floor protector.

Seismic Restraint - Secure with 2 x c/s 'Dyno' Bolts through floor of Firebox into concrete base.

Venting – The fireplace surround and chimney must have air vents inserted to allow cooling air to enter the cavity and cool the firebox and flue. A minimum of 4 x 100mm x 300mm vents are required.

Minimum Full Masonry Cavity

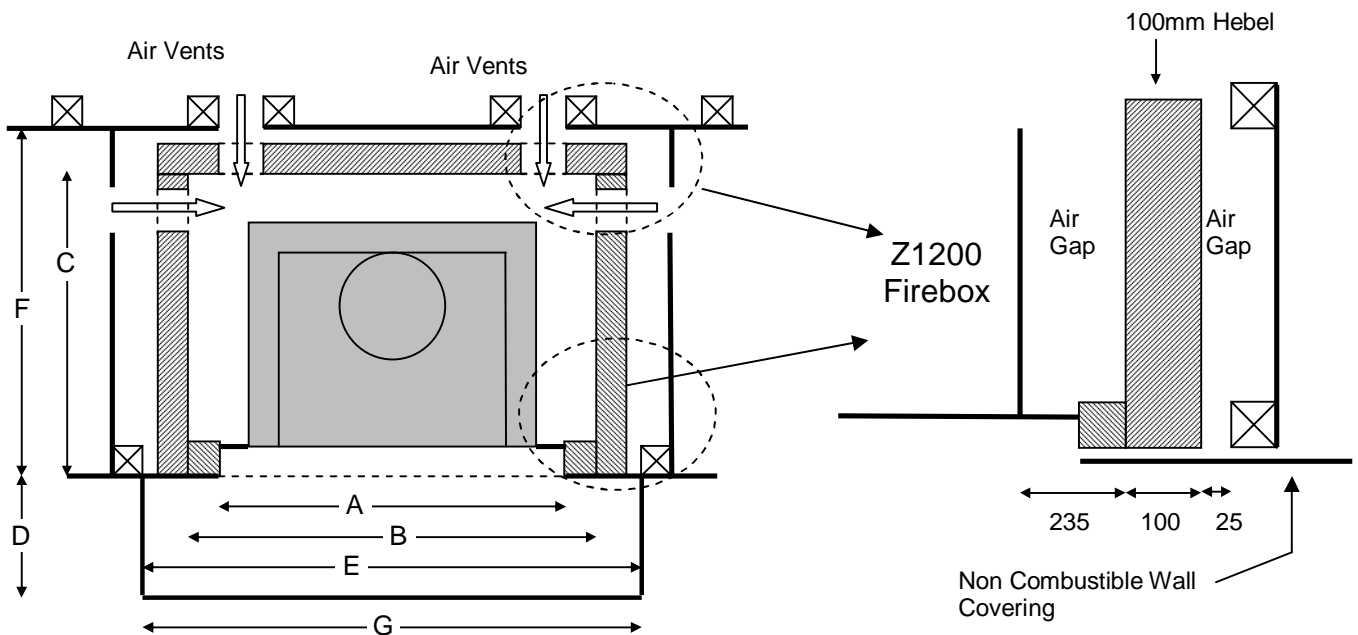
Fig. 1



Model	A Opening Width	B Masonry Width	C Masonry Depth	D Floor Protector	G Floor Protector
Z1200	1275	1370	760	500	1800

Minimum Masonry Cavity within Timber Framing

Fig. 2



Model	A Opening Window Width	B Masonry Width	C Masonry Depth	D Floor Protector Depth	E Internal Frame Width	F Frame Depth	G Floor Protector Width
Z1200	1275	1550	835	500	1920	960	1920



TRIPLE SKIN FLUE KIT
(FOR USE WHEN FLUE SYSTEM IN
INSTALLED IN COMBUSTIBLE AREA)

Inner (Active) Flue - 300mm dia
Middle Flue 350mm dia
Outer Flue 400mm dia

Front Elevation

Flue System installed to
AS/NZS2918:2001

Appropriate Roof Penetration
Flashing

25mm Gap

400mm Outer Liner
350mm Inner Baffle
300mm Flue

Air ventilation holes
in out liner

Insulation

Register

405mm
diameter
hole

Hot Air ventila-
tion Exit

Ceiling

Min 450

Optional timber mantle
Max 100mm deep

Non Combustible sur-
round 4 sides.
Min 100mm Hebel.
Do Not cover with any
combustible material.
i.e. Plaster Board, Gib
Board etc

600

935

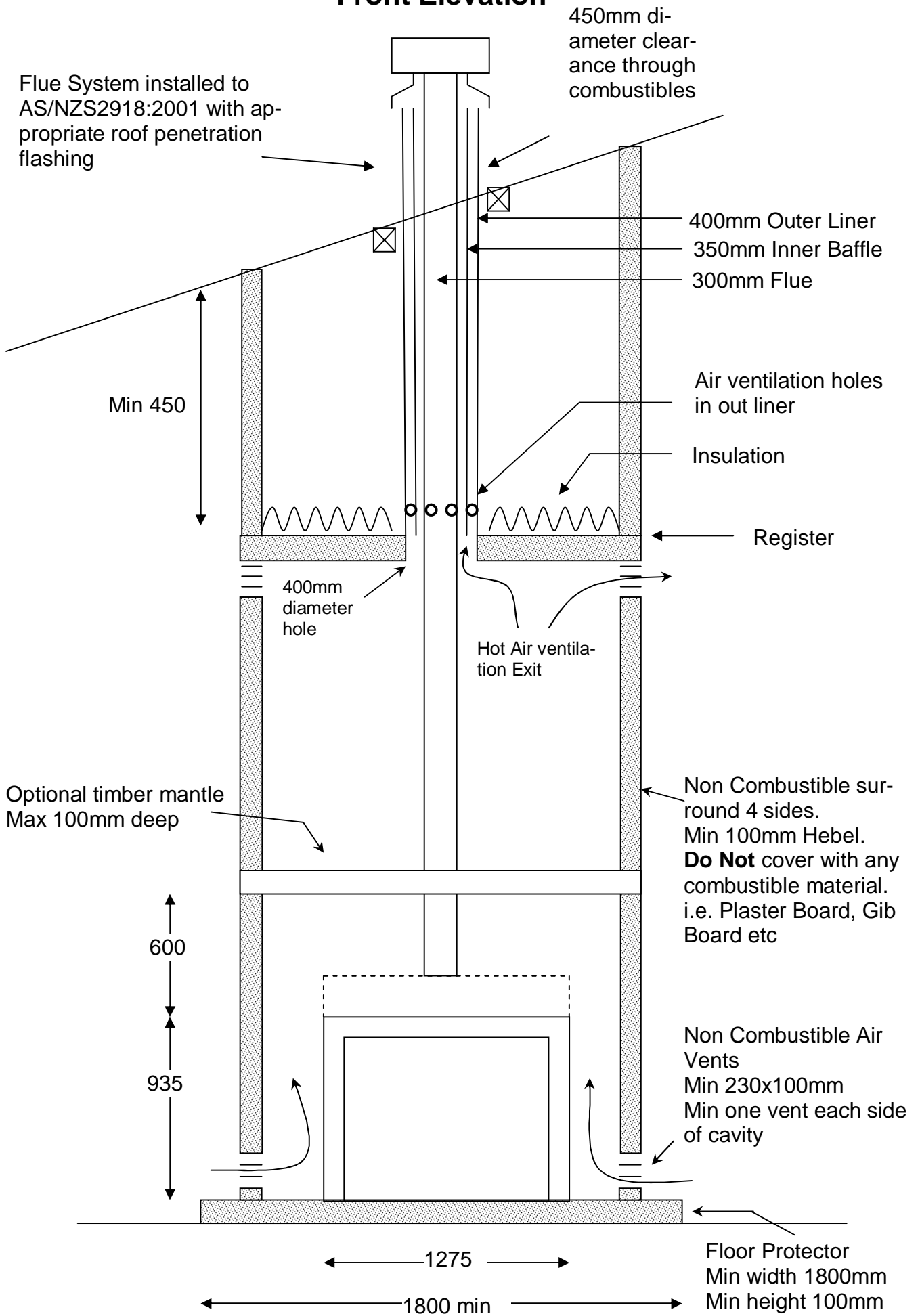
Non Combustible Air
Vents
Min 230x100mm
Min one vent each side
of cavity

1275

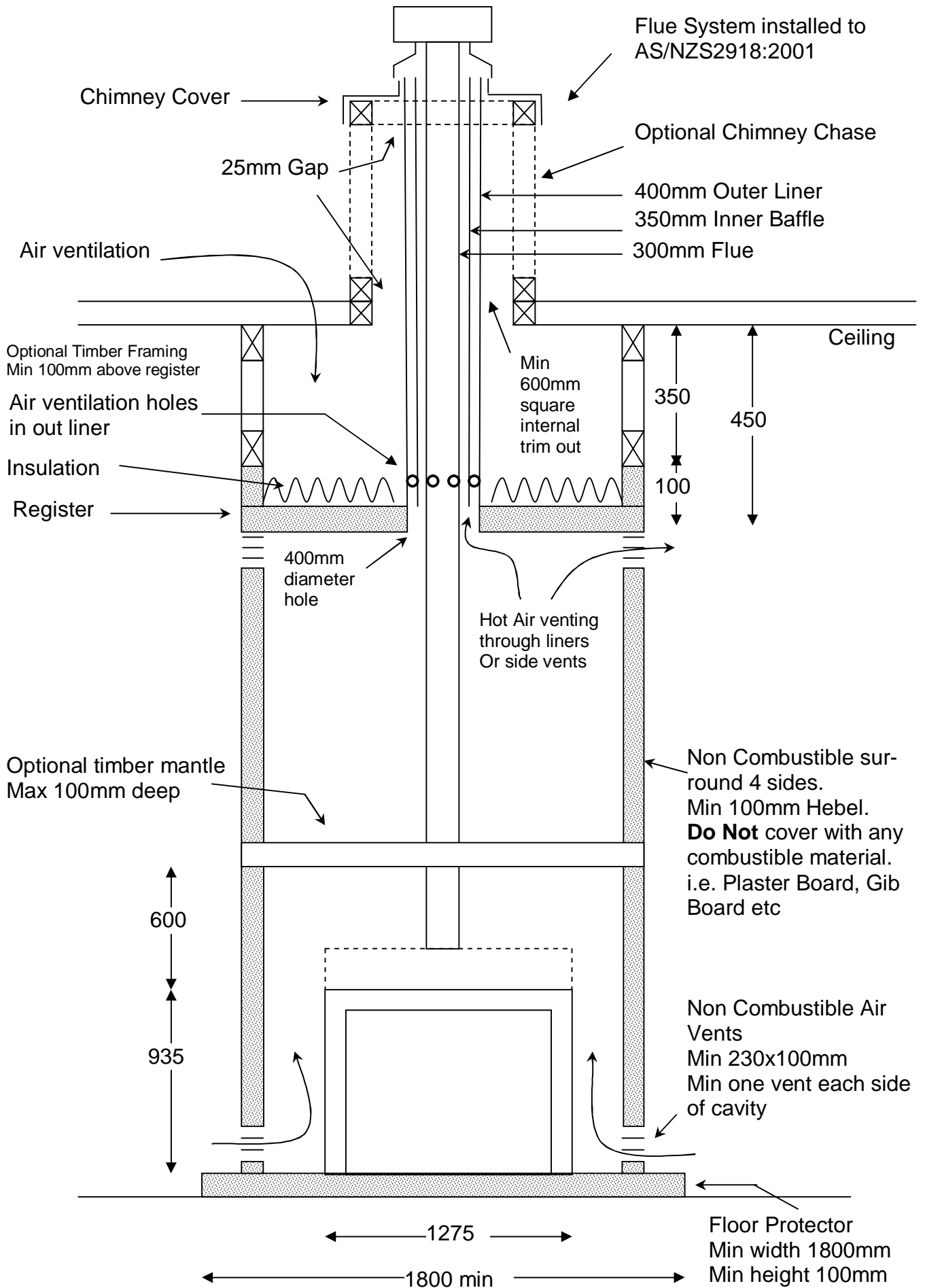
1800 min

Floor Protector
Min width 1800mm
Min height 100mm

Front Elevation

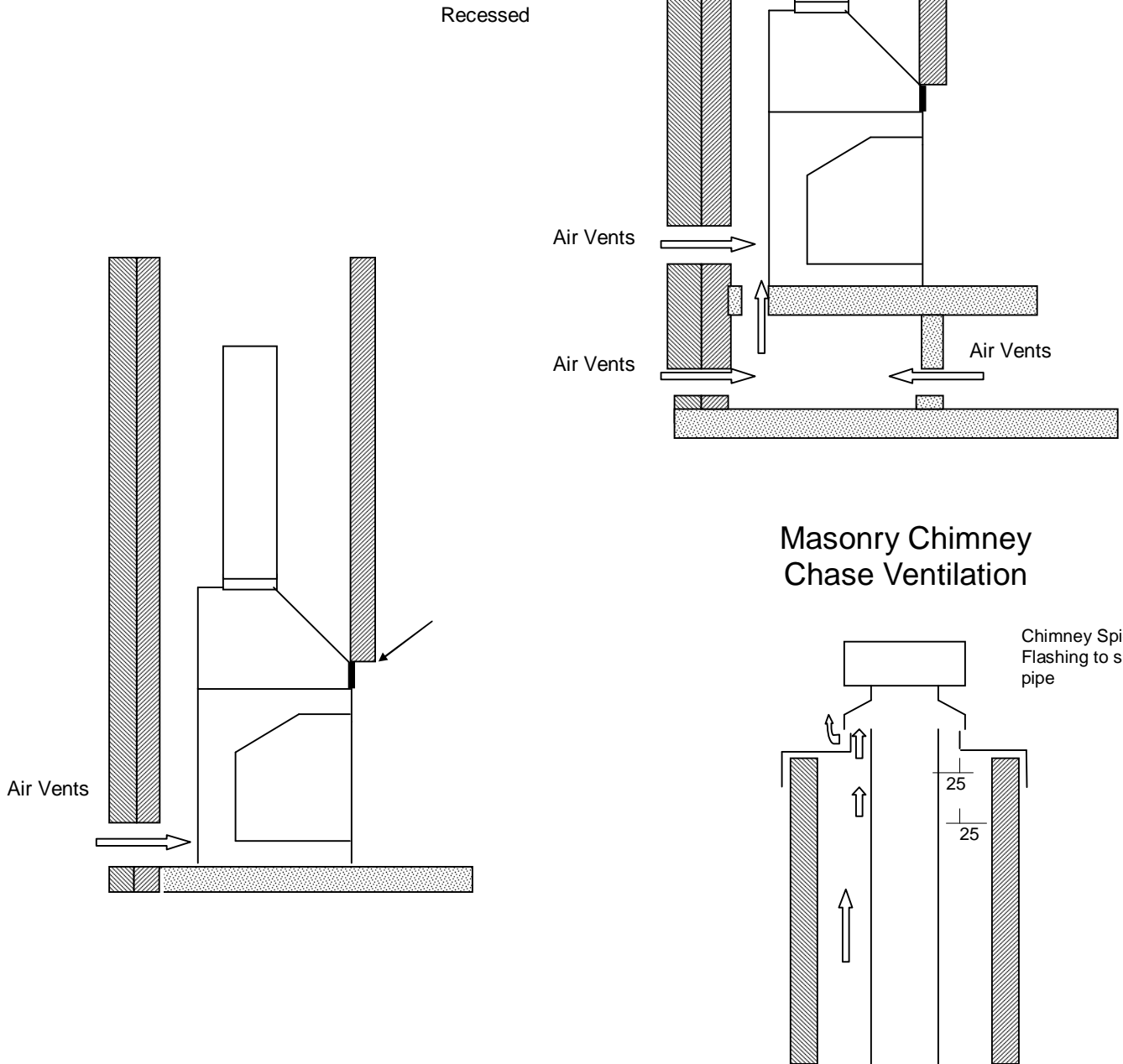


Front Elevation





Elevation Views



Siesmic Restraint

Secure with 2 x Dynabolts through the floor of the firebox into the concrete base.

Air Replacement into Room

Allowances should be made for air replacement vents near the fireplace, to allow for outside air to aid combustion and reduce the risk of down draft smoke back into the room.

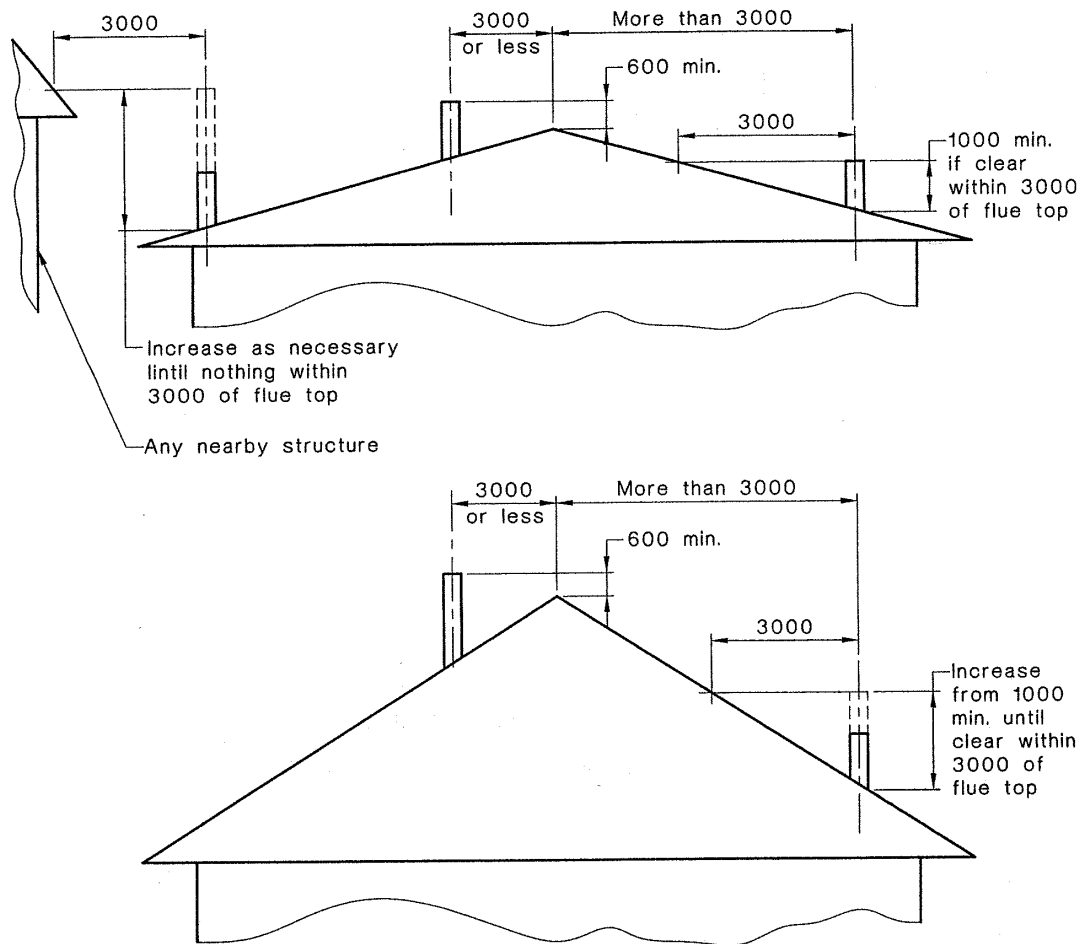


EXTERNAL REQUIREMENTS AS/NZS 2918:2001

The Flue exit shall be located outside the building (drawing) in which the **Broady's Firepower** is to be installed so that:

- the flue pipe shall extend not less than 4.6m above the top of the floor protector.
- the minimum height of the flue system within 3m distance from the highest point of the roof shall be 600mm above that point
- the minimum height of a flue system further than 3m from the highest point of the roof shall be 1000mm above roof penetration
- no part of any building lies in or above a circular area described by a horizontal radius of 3m about the flue system exit.

THESE ARE CONSIDERED TO BE **MINIMUM DIMENSIONS**, AND DEPENDING ON LOCAL CONDITIONS, **TALLER FLUE SYSTEM HEIGHTS MAY BE REQUIRED FOR SATISFACTORY PERFORMANCE.**



DIMENSIONS IN MILLIMETRES

BROADY'S NZ LTD

46a SIR WILLIAM AVENUE, EAST TAMAKI, AUCKLAND | PO BOX 58-183, GREENMOUNT, NEW ZEALAND
TELEPHONE: 0-9-274 0658 | FACSIMILE: 0-9-272 2519 | EMAIL: enquiries@broadys.co.nz | WEBSITE: