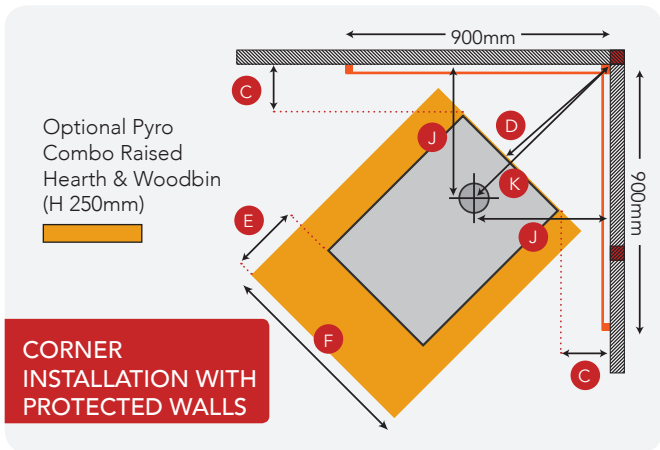
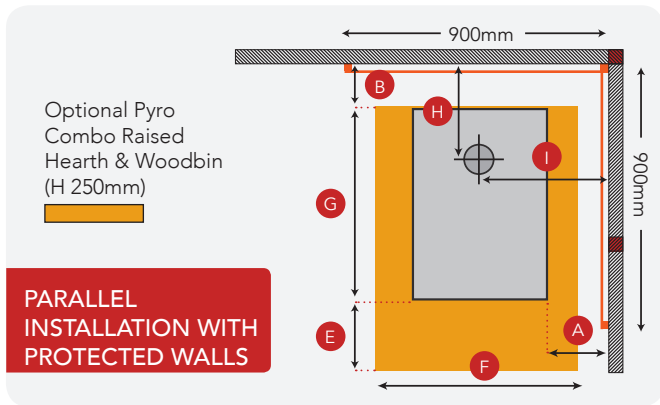


PYROCLASSIC IV TECHNICAL SPECIFICATIONS



PYROCLASSIC IV WITH WALL SCREENS OR WITH NON COMBUSTIBLE WALLS

A	B	C	D	E	F	G	H	I	J	K
145mm	105mm	115mm	390mm	300mm	680mm	650mm	245mm	373mm	370mm	530mm
Pyroclassic IV with combustible walls or unprotected walls										
480mm	350mm	370mm	740mm							

PYROCLASSIC INSULATING HEARTH

The Pyroclassic IV must sit on some form of insulating hearth. If the hearth is installed flush with a surrounding floor then it must have a minimum distance of 369mm from the front of the fire to the front edge of the hearth. The minimum width of the insulating hearth must be not less than 680mm with the Pyroclassic IV centred from each side of the hearth.

If the hearth is raised, the floor protector area at the front can be reduced. For example, the Pyroclassic Raised Hearth & Woodbin is 250mm in height, which means the floor protector area at the front of the fire can be reduced.

The Pyroclassic raised hearth is a powder coated steel construction and can be installed directly on to any combustible floor material.

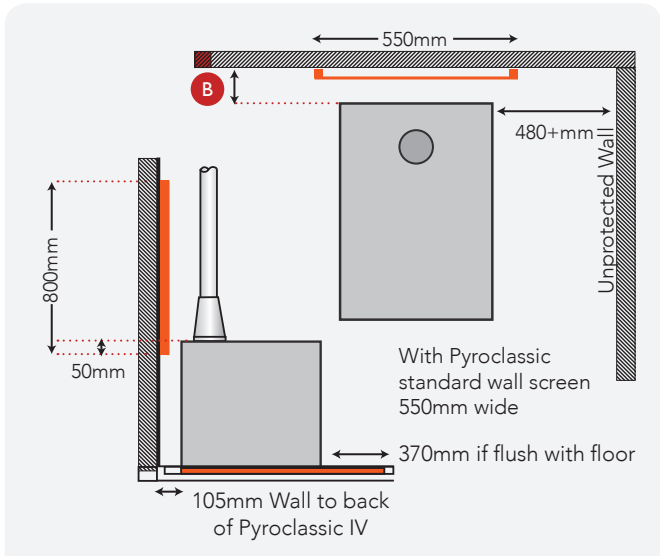
ALTERNATIVE INSULATING HEARTH

20+mm suitable insulated board with non combustible top, or masonry slab with a minimum thickness of 50mm.

INSULATING HEARTH SURFACE HEIGHT FROM COMBUSTIBLE FLOOR				
Height	0mm	15mm	25mm	40mm
MINIMUM DISTANCE IN FRONT OF PYROCLASSIC TO HEARTH FRONT EDGE				
E Depth	370mm	345mm	320mm	300mm

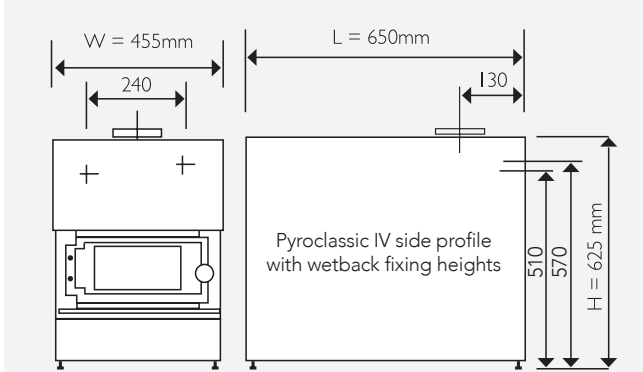
WALL SCREENS

Our wall screens will significantly reduce the minimum required safety distances. The side edges of the sheet metal are folded in (forming a right angle), creating a 25mm air gap. Combustible walls are protected from the hottest parts of the fire, which are the top plate and first sections of the flue. The open bottom edge of the screen sits 50mm below the top of the Pyroclassic IV and extends upwards. Cool air enters from below, runs up between the screen and the wall and exits out the top.



BACK TO WALL & NO SIDE WALLS

FIRE DIMENSIONS SHOWING WETBACK FIXING LOCATIONS



Disclaimer: +/- 2mm measurement variation.

SPECIFICATIONS

- Dimensions:** L 650mm x W 455mm x H 625mm
- Weight:** Approximately 140kg
- Fire chamber volume:** 20.8 litres
- Temperature:** 800°C - 1100°C (1500°F - 2000°F)
- Maximum heat output:** >15kW
- Useful heat output:** 2kW - 8kW
- Fuel consumption:** 1.1kg/hr
- Emission rate:** 0.3g/kg (Dry and Wet)
- Efficiency rate:** 74% space heating (Dry)
65.3% space heating with 18% water heating (Wet)
- Air control:** Primary & secondary, fully automatic
- Start up control:** Manually adjustable Turboslide
- Cooktop area:** 0.26m² - 10mm thick plate
- Flue diameter:** 100mm standard (4")

Freestanding model only. No insert available.

WARRANTY: The ceramic firebox in the Pyroclassic IV is warranted for 15 years against defective material or workmanship, provided the fire is used and installed according to the manufacturer's operating and installation instructions. All other items are warranted for 12 months. This warranty does not cover damage or failure caused by tampering, carelessness, abuse or misuse. NOTE: The warranty only applies to the original owner and cannot be transferred.

