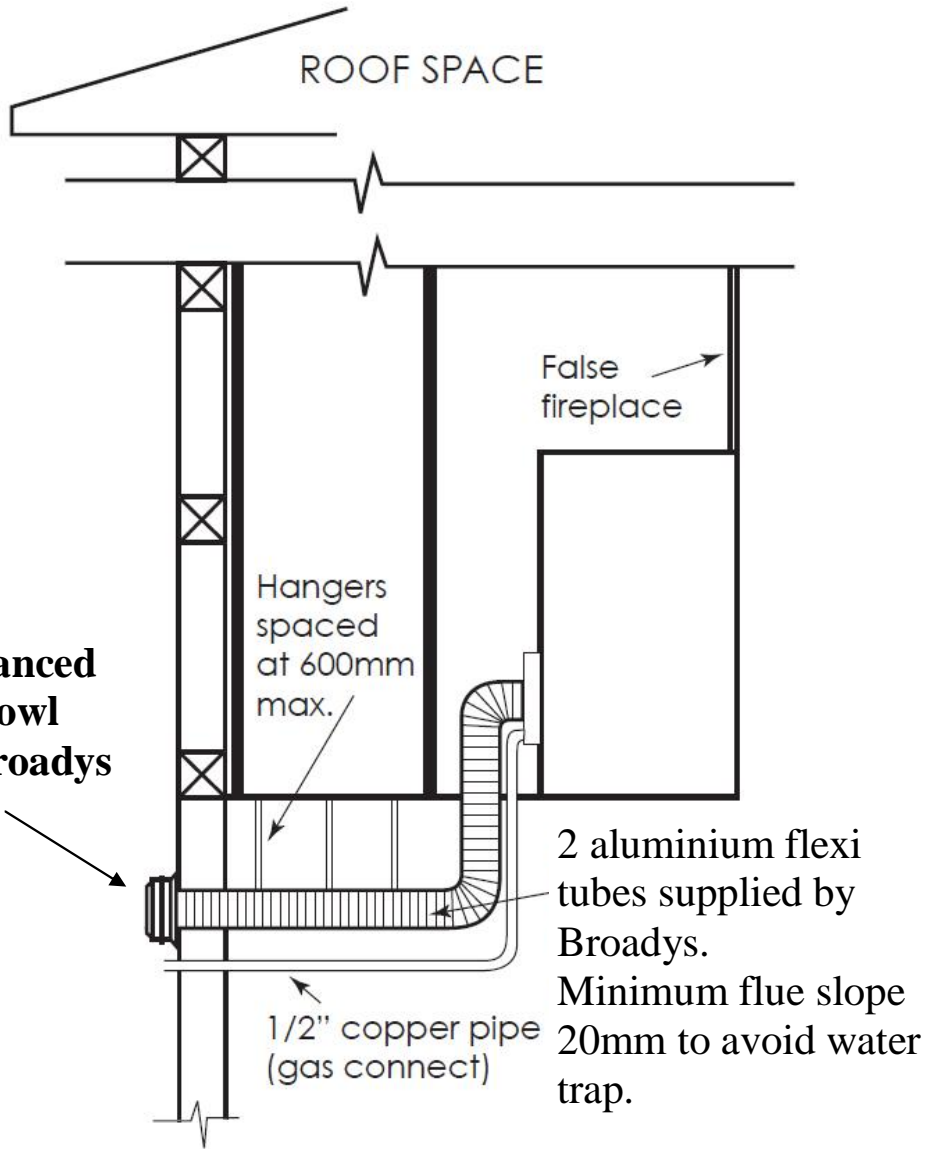


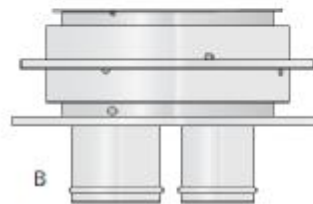
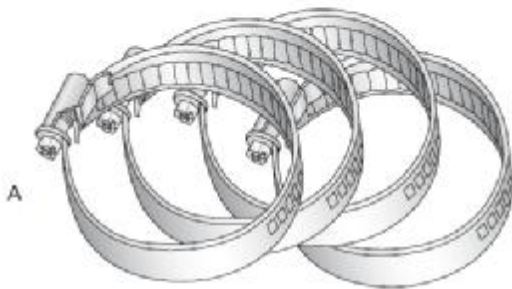


Installation of this gas heating appliance must be to NZS 5261

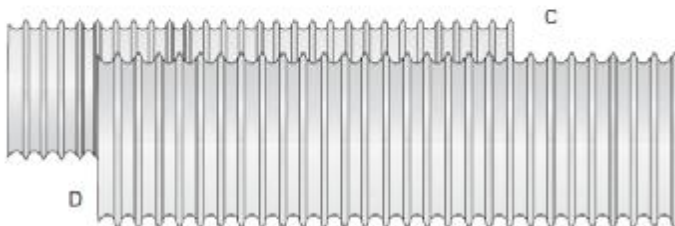
Approved balanced flue gas wall cowl supplied by Broadys



WHAT'S IN THIS KIT



- A. 4 Flue clamps
- B. 1 Cowl
- C. Gas fume exhaust
- D. Air intake
- E. 4 Flexible flue Supports

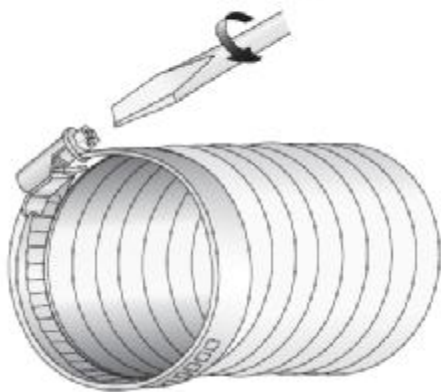


[WWW.BROADYS.CO.NZ](http://WWW.BROADYS.CO.NZ)

Flue Installation should be read in conjunction with Enviro Quick Step Installation Sheet or full installation manual provided with the fireplace.

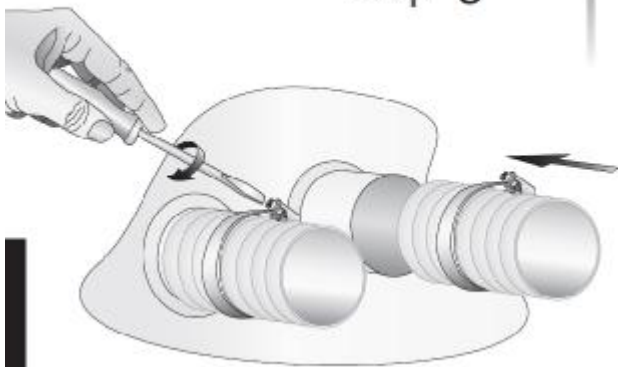
**QUICK STEP UNDER FLOOR FLUE INSTALLATION**

**step 1**



Using a flat head scw driver, unscrew the flue clamp as necessary until it fits over the end of each of the flexi flue pipes

**step 3**



Tighten flue clamps to secure flues to the firebox

**step 2**



Stretch out the end of each flexible flue pipe. Side the two flexi flue pipes over the corresponding pipes at the rear of the firebox

**step 4**

Stretch out the flue as required up to 4.5m or cut to size as required. Ensure there are no tears or holes in the flues



**DO...** Use 3 bends only

Our flexible flue has the ability to bend 3 times between the heating unit and the cowl. This includes the bend straight out of the heater if you're fluing through the ceiling or



**DO...** Make the flue pipe go over the bearers and joists

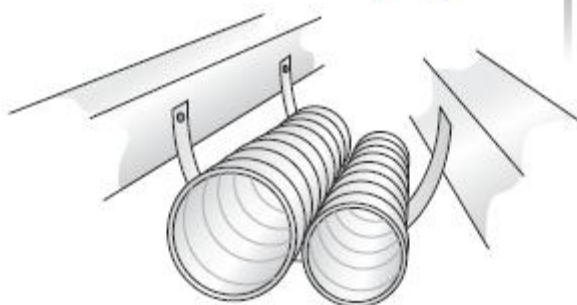
You may bend the flue over joists and bearers. It is recommended that a 20mm clearance be maintained between the smaller gas exhaust flue and combustible materials



**NEVER DO...** Flueing where the pipe has a spot Lower than the rest

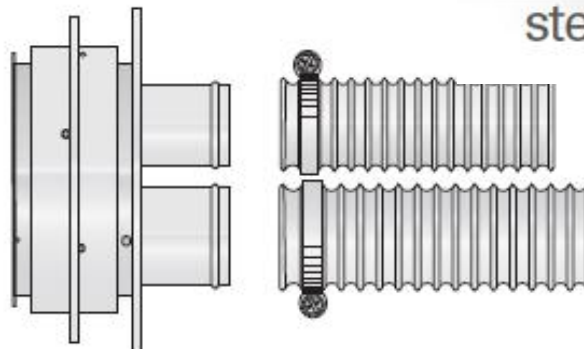
Never allow a low spot in the flue. Installing the flue with a dip or "goose neck" can result in reduced efficiency or even prevent the fire from working.

**step 5**



Attach flexy flue supports to floor joists to allow flue to run with a slight decline

**step 6**



As in Step 1, unscrew the flue clamps until they fit over each of the flue pipes. Slide the two flue pipes over the corresponding pipes on the base of the cowl and tighten. Suitable wall flashing must be used to comply with E2 of the building code

**WWW.BROADYS.CO.NZ**

Flue Installation should be read in conjunction with Enviro Quick Step Installation Sheet or full installation manual provided with the fireplace.