



April 2009

KEMLAN COUPE DOUBLE SIDED FIREPLACE WALL PENETRATION MODEL

INTRODUCTION

•This Fire is suitable for installation on properties over 2HA in size.

•BUILDING CONSENTS (PERMITS)

It is the house owners responsibility to have the correct permit lodged and accepted by the local building authority. Your Installer may offer to assist with this and in some cases undertake the complete application, lodgement, payment, etc. on your behalf (a fee maybe incurred).

•INSTALLATION

All solid fuel heating appliances sold by Broadys NZ Ltd must be installed to the requirements of the **Standard AS/NZS 2918:2001** and the product instructions supplied by us and/or with the appliance. This includes the "FINISHING" of your installation e.g. the correct venting, hearth sizing, and fascia and/or mantle surrounds.

Broady's NZ Limited do not undertake installation and/or site work associated with the installation of the products we sell, nor warrant their installation. We recommend that the installation of all solid fuel heating appliances be carried out by a Qualified Registered Installer with the NZ Home Heating Association, of which Broady's are also a member. We can provide a list of these installers, or if preferred visit their website for a full and current list at www.nzhha.co.nz/membership.asp. By listing these Installers, it is not implied nor inferred that Broady's recommend them or their work. As the contract for installation is between you and the chosen Installer – payment is due directly to them, normally on the completion of the installation. Any possible issues regarding your installation are to be addressed to the Installer.

KEEP THEIR NAME ON FILE.

•ELECTRICAL / PLUMBING

If any electrical/plumbing work is required, it must be carried out by a licensed Electrician/Plumber. All electrical work must be carried out to AS/NZS3000 or AS/NZS3100 requirements, plumbing work carried out to appropriate requirements of AS3500.4.1 or NZS4603, and both electrical and plumbing to local regulatory authority.

•SAFETY WARNING

- Only use dry, well seasoned firewood. Never use driftwood or treated timber
- DO NOT use flammable liquids or aerosols to start or re kindle the fire
- DO NOT OVERFIRE – only use the high heat setting when lighting the fire and reloading. Once fire is alight reduce air slide control to lower setting. Over firing may result in the warranty becoming void.
- Replace damaged and worn out consumables like baffles, liners, air tubes, rope seals etc with genuine replacements to ensure the correct and safe operation of the fireplace.
- If hot water boosters or boilers are fitted the appliance must be connected to an open vented hot water system.
- Make sure the minimum safety heater-to-wall clearance distances are maintained between the heater and any heat sensitive materials (furniture, drapes, blinds etc)
- Solid Fuel heaters with glass doors are not to be used as an open fire.

INSTALLATION STEPS

Please Note: This is a minimum 2 visit installation process.

Initial Visit

Step 1: Determine location of fireplace. Minimum clearances to side walls is as follows: a. 350mm if side wall(s) protrude in front of either glass door
b. 300mm if side wall(s) continue at the same level or inside each glass door.

Note: The fireplace can be eventually positioned directly onto a concrete floor

Or: for combustible floors a floor protector with minimum thickness 14mm of non combustible material extending 300mm in front of each door opening and 200mm to each side. While the minimum thickness is 14mm we recommend a thickness of at least 80-100mm to keep with the style of the fireplace.

Step 2: When installed through a combustible wall, a minimum 1400mm (H) above floor protector x 1300mm (W) timber framed opening is required.

Step 3: Install minimum floor protection and hebel margin to sides and top.

Step 4: Install drop box through ceiling and fix flue liners into position. Penetrate flue liners through roof or chimney chase and flash as per AS/NZS2918:2001.

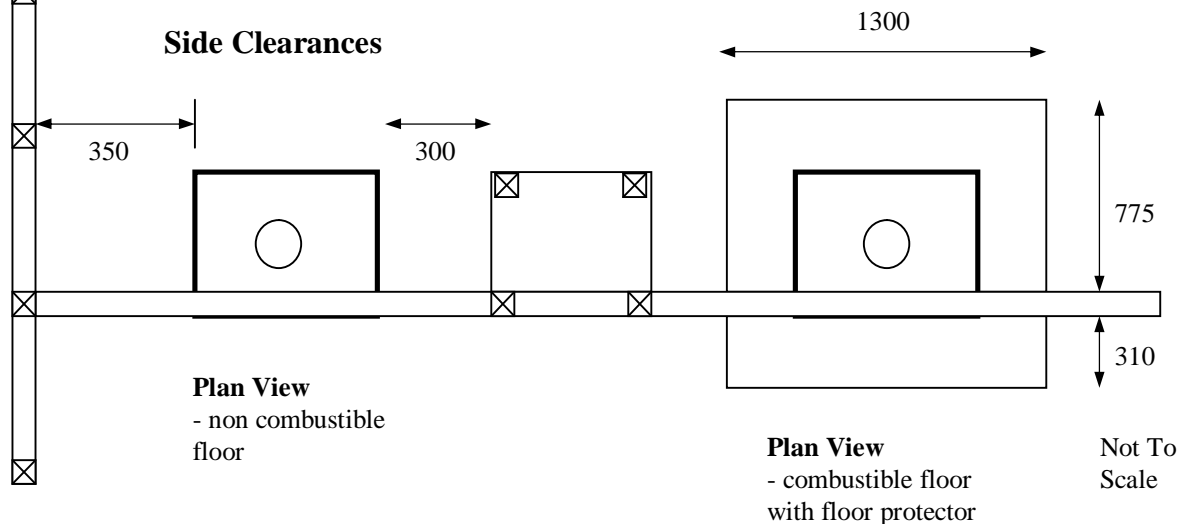
Step 5: Decorate walls, hebel margin and floor protector with appropriate non combustible materials without firebox in place. Once installed access for decorating is difficult. The hebel can be plastered and decorated to match surrounding wall linings. No combustible material can cover the hebel margin or floor protector. Care should be taken to allow for Schist or Stone on side(s) to owners design.

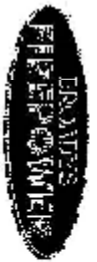
Second Visit

Step 6: Place firebox onto finished floor protector and complete installation to AS/NZS2918:2001.

Note: Timber mantles (flush side) must be a minimum 550mm above the fascia (600mm above the top of the fire box). A fan must be fitted when installing a combustible mantle shelf.

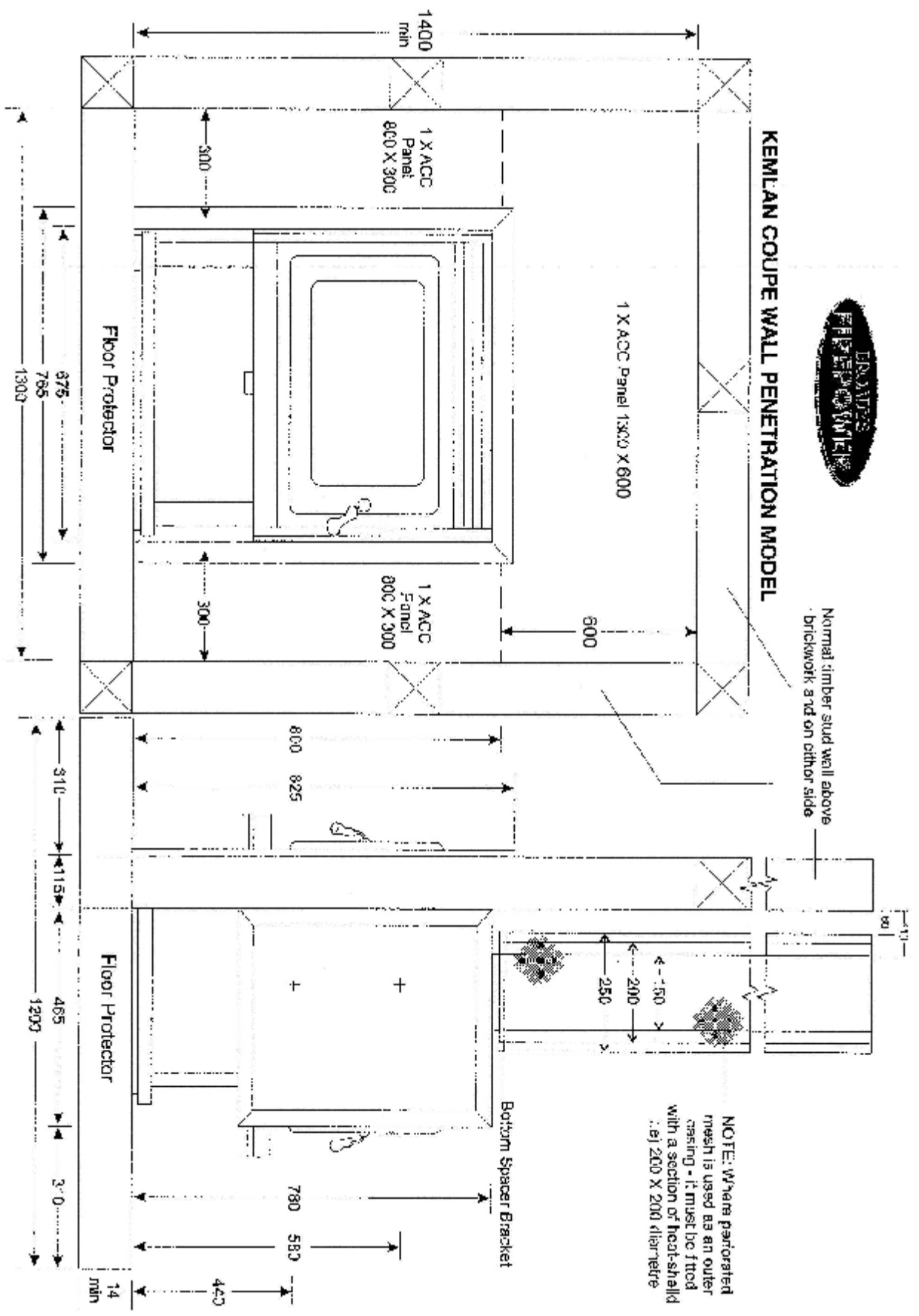
Step 7: Siesmic Restraint – Remove one (or both) of the covers on the Pedestal and drill two holes in the plinth. Secure with two appropriate Dyno bolts through plinth and floor protector into the floor surface below. Replace covers or fit fan to one side if being installed. Refer to AS/NZS2918:2001.





KEMILAN COUPE WALL PENETRATION MODEL

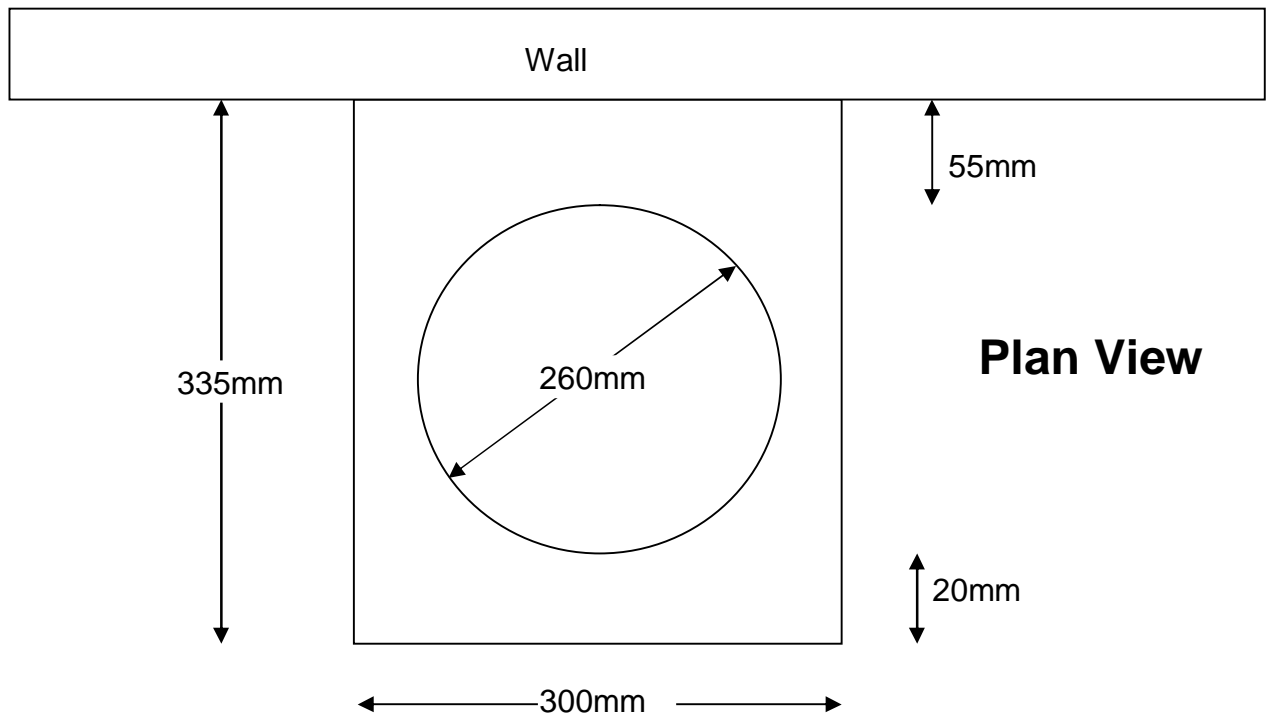
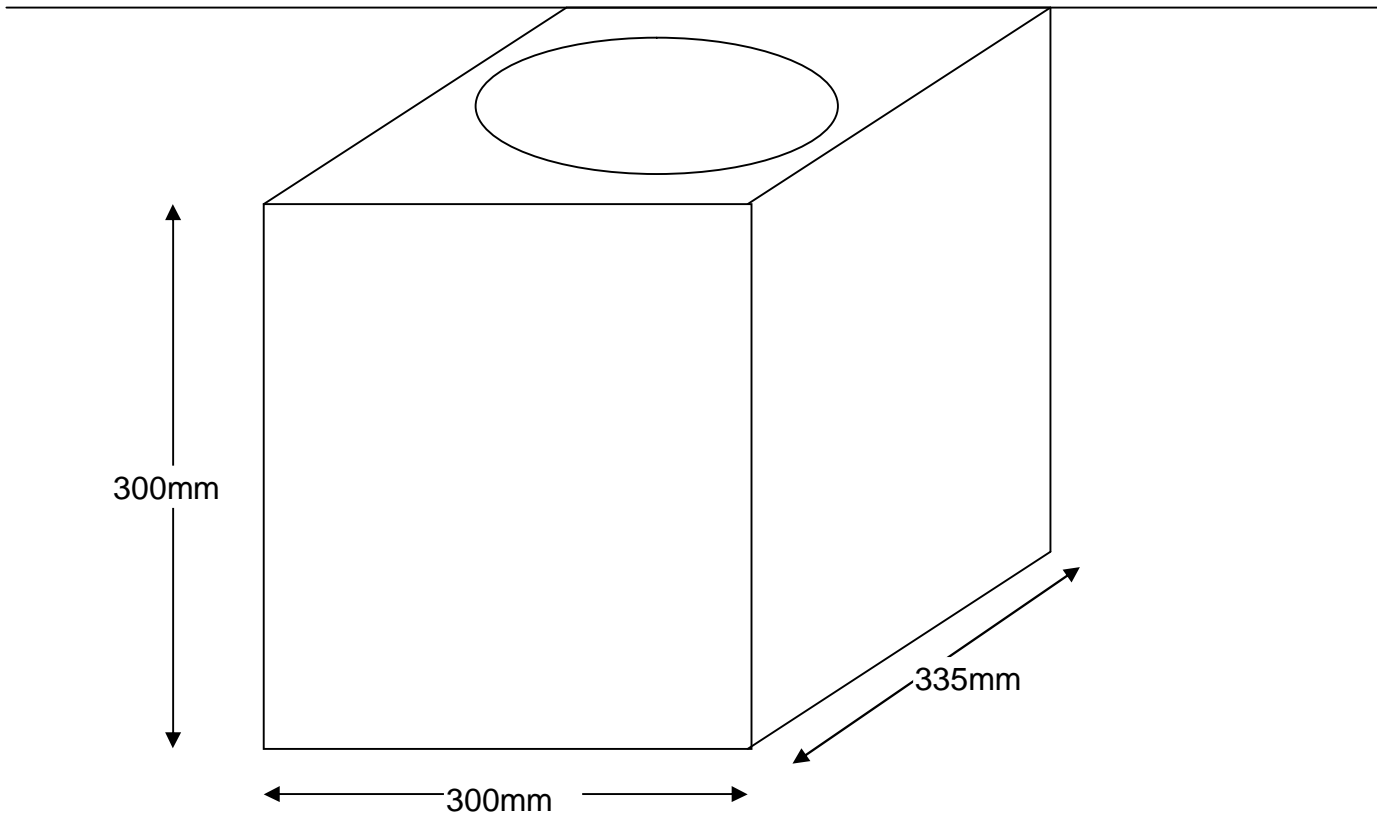
Normal timber stud wall above
brickwork and on either side



NOTE: Where perforated mesh is used as an outer casing - it must be fitted with a section of heat-shield : e) 200 X 200 diameter

Kemlan Coupe Wall Penetration

Drop Box



Plan View

Timber Framing



Hebel side and top margin
Hebel Floor Protector to
flush and freestanding
sides



Finished decorated
walls and floor
protector
Flue Drop Box in
place



Completed Fire
installation

