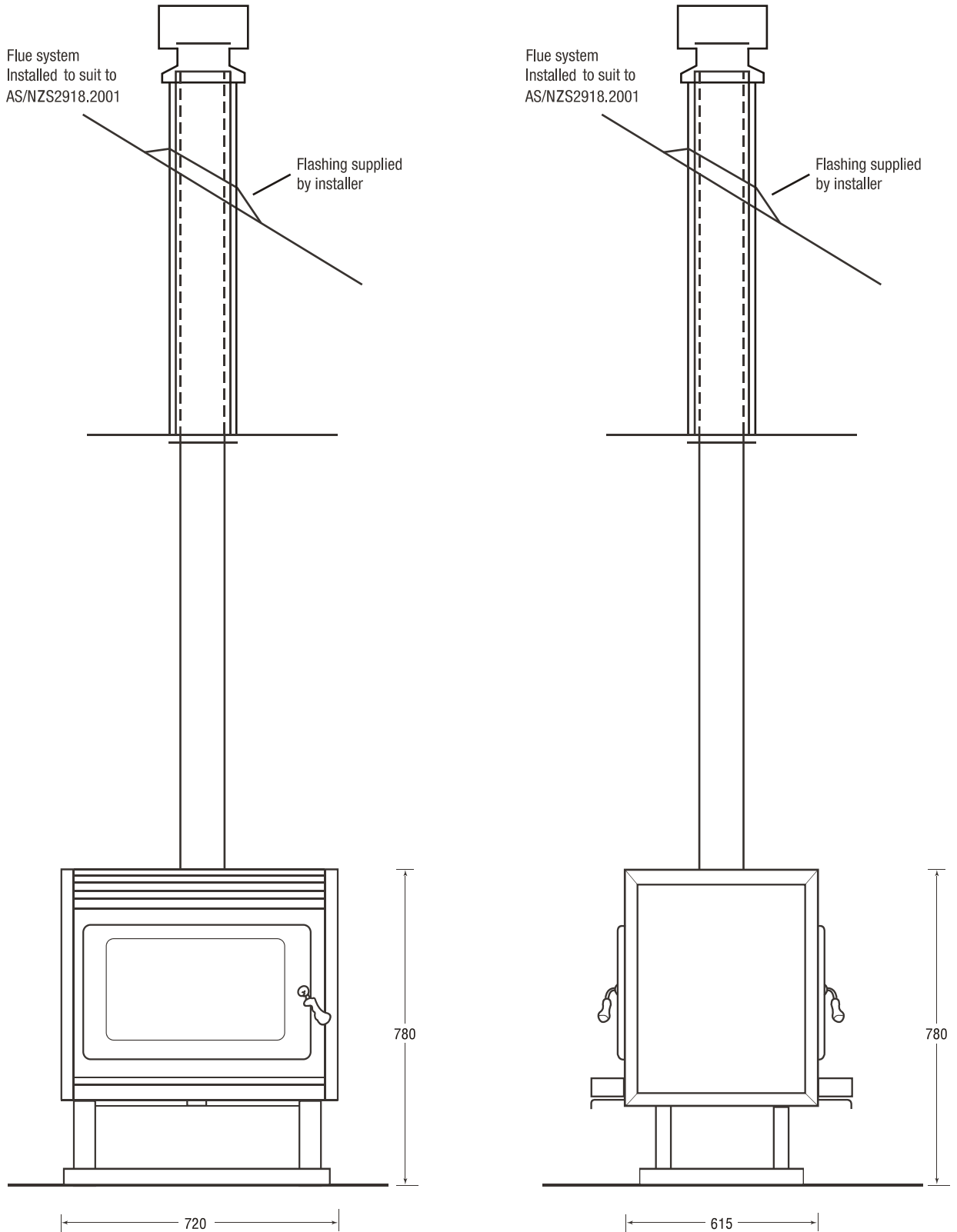




## KEMLAN COUPE FREESTANDING MODEL



Above shows concrete floor installation.  
For combustible floors see over page for floor protection



**INSTALLATION STEPS**  
**KEMLAN COUPE DOUBLE SIDED FIREPLACE**  
**FREESTANDING MODEL**

**Steps**

- 1) For non combustible floors position fireplace directly onto concrete floor
- 2) OR for combustible floors position onto a floor protector with minimum thickness of 14mm non combustible material extending 300mm in front of each door opening and 200mm to each side
- 3) Minimum clearances to side walls and combustible materials are as follows:
  - a. 350mm with 900mm length of flue shield if side wall(s) or combustibles advance beyond the front of the glass doors
  - b. Beyond 350mm no flue shield is required
  - c. As a room divider clearance from heat sensitive wall(s) or combustibles must be 225mm.
- 4) Flue System must be installed to suit AS/NZS2918:2001.

