

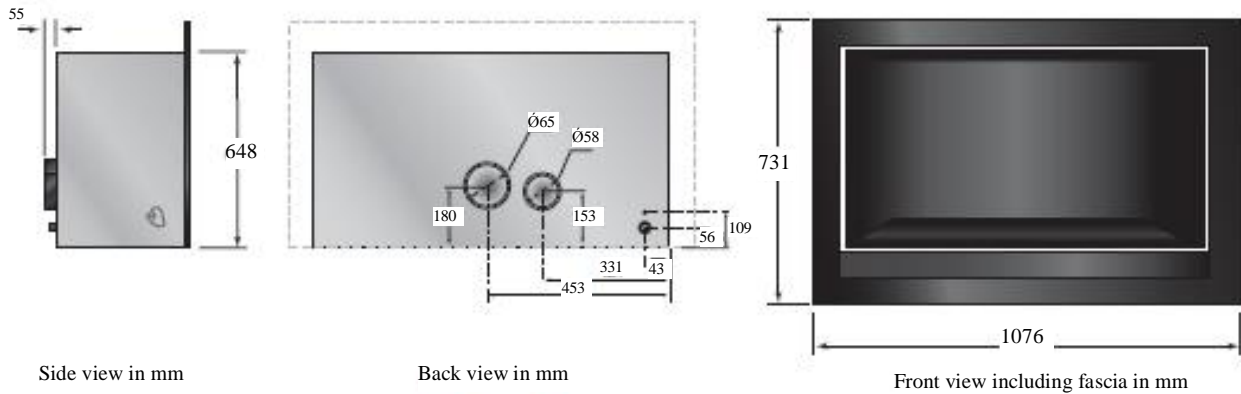


ENVIRO GAS FIRE INSTALLATION GUIDE



www.broadys.co.nz

FIREBOX DIMENSIONS

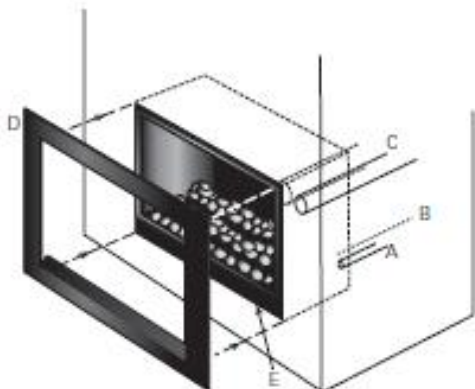
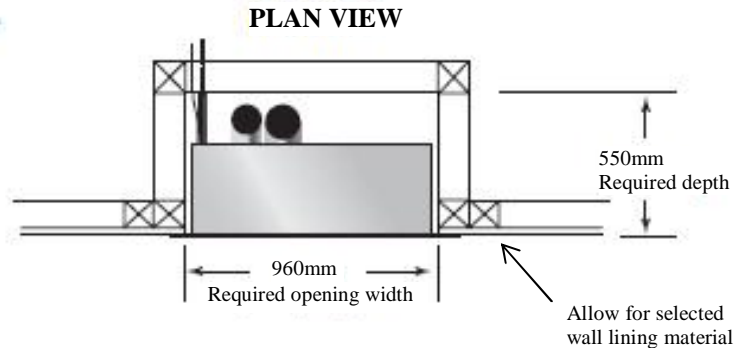


- 1 - Electrical power cable (Requires isolation switch)
- 2 - Incoming gas connection ($\frac{1}{2}$ " BSP male connector)
- 3 - Extraction Fan
- 4 - Incoming air

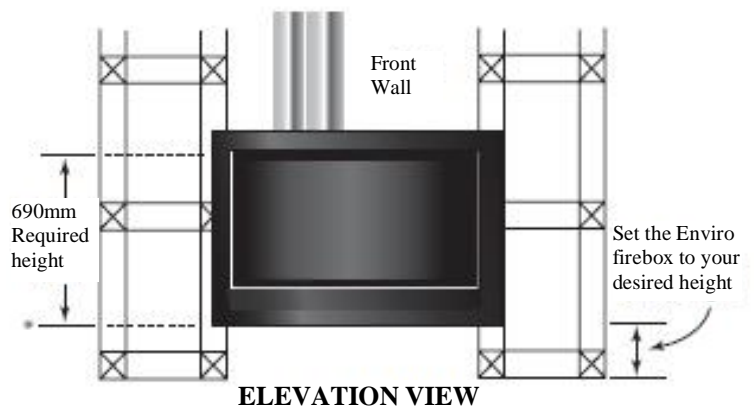
Gas Input

High 44MJ/h Low 23 MJ/h

MINIMUM FRAMING DIMENSIONS



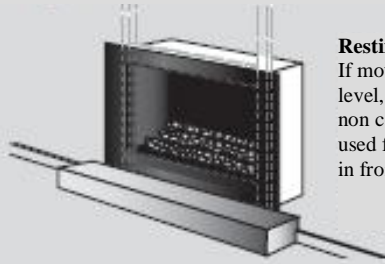
- A - Gas outlet
- B - Power outlet
- C - Flue through wall, floor or ceiling
- D - Fascia attaches to the front of the firebox to finish flush with the wall
- E - Your choice of pebbles, coals, or logs placed into the firebox. Do not obscure the gas outlets.



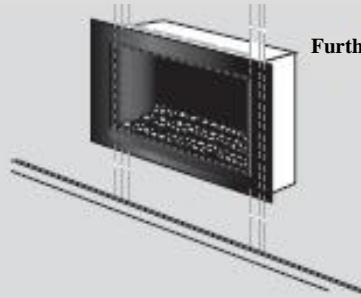
* Note: Standard fascia finishes flush with the bottom of the firebox so ensure a neat finish to gib or selected wall liner

Choice of firebox height

With its revolutionary design, the Enviro can be mounted at any height on the wall. You can choose to install the Enviro at ground level or further up the wall.



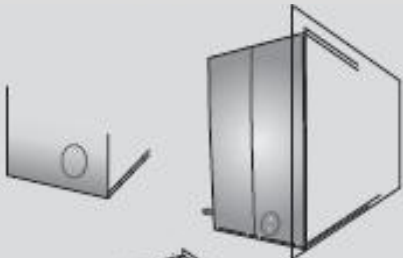
Resting on the hearth
If mounting the Enviro at floor level, it is recommended that a non combustible hearth be used for a minimum 350mm in front of the fire



Further up the wall

Option of moving the gas

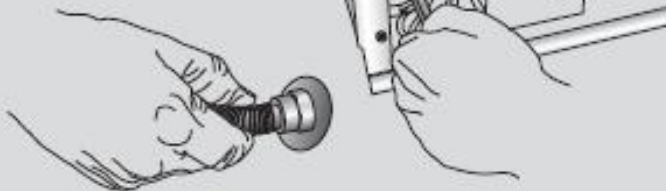
To fit in with your space, the Enviro has an option to move the gas inlet from the back to the side of the heater



STEP 1.
Remove round flange on bottom left hand side. Identify the removable panel on the left side of the heater. Unscrew the 4 screws and remove the panel.



STEP 2.
Using two spanners, undo the gas pipe from the main connection



Step 3.
Remove flexible pipe from the heater

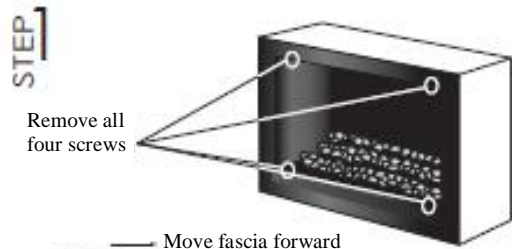
Step 4.
Straighten flexible pipe using fingers as shown



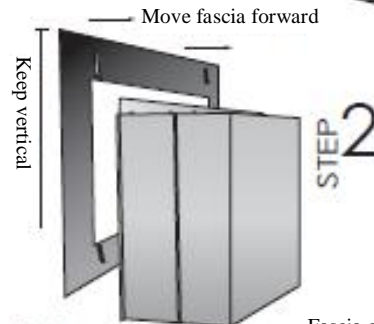
Step 5.
Put flexible pipe back through hole (S3) and reconnect the pipe (S2) then replace side panel (S1). Finally, replace the little round flange from the side and screw into place to cover the hole on the back panel.

Attaching the fascia

While attaching the fascia is straight forward, it is important that it remains vertical all the time to make sure the top and bottom clip in by way of clips at both the top and bottom. Before fascia can be removed, door must be unscrewed and removed.



STEP 1
Remove all four screws



STEP 2
Note: Clip in manual control on bottom left side of fascia

Fascia clips slip down over top heat box top lip

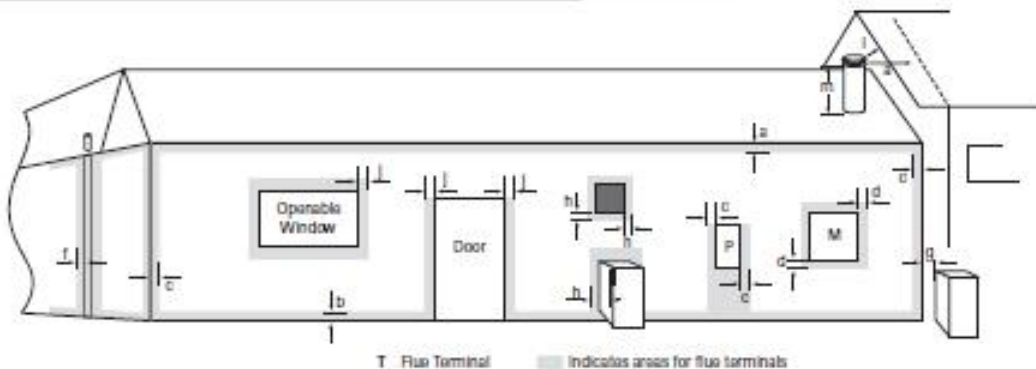


STEP 3



STEP 4

Fascia clips slip down over heat box lip on the bottom lip also



Minimum clearances required for balanced flue terminals or the flue terminals of outdoor appliances

[according to AS5601-2004 [AGA gas installation code] or NZS 5261 [New Zealand]]

- a Below eaves, balconies or other projections 300 mm
- b From the ground or above a balcony 300 mm
- c From a return wall or external corner 500 mm
- d From a gas meter (M) 1000 mm
- e From an electricity meter or fuse box (P) 500 mm
- f From a drain or soil pipe 150 mm
- g Horizontal from an building structure
- h From any other flue terminal, cowl or combustion air intake 500 mm
- i Horizontally from an openable window, door or non-mechanical air inlet, or any other opening into a building, with the exception of sub-floor ventilations 500 mm
- j Vertically below an openable window, door or non-mechanical air inlet, or any other opening into a building, with the exception of sub-floor ventilation
- k Minimum horizontal clearance to any surface (such as an exterior wall) for vertical terminations 610 mm
- l Minimum height above roof line for vertical termination 600 mm

Using your flexible flue pipe

The Enviro's revolutionary flue system incorporates one 65mm diameter pipe and one 58mm diameter pipe.

DO... Use 3 bends only **P**

Our flexible flue has the ability to bend 3 times between the heating unit and the cowl. This includes the bend straight out of the heater if you're fluing through the ceiling or

DO... Make the flue pipe go over the bearers and joists **P**

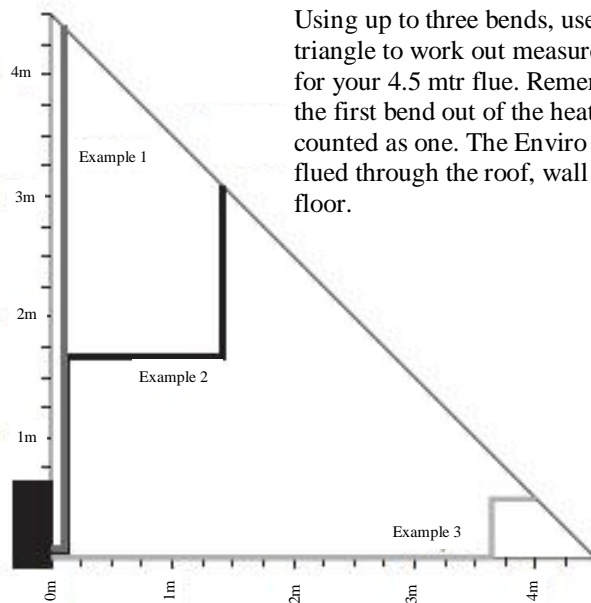
You may bend the flue over joists and bearers. It is recommended that a 20mm clearance be maintained between the smaller gas exhaust flue and combustible materials

NEVER DO... Flueing where the pipe has a spot Lower than the rest **O**

Never allow a low spot in the flue. Installing the flue with a dip or "goose neck" can result in reduced efficiency or even prevent the fire from working.

A 20mm clearance is recommended from the extraction (smaller) flue to combustibles

Configure Triangle



Using up to three bends, use this triangle to work out measurements for your 4.5 mtr flue. Remember, the first bend out of the heater is counted as one. The Enviro can be flued through the roof, wall of floor.

Key Information—Quick step check list

Plumber	Incoming gas connection provided - ½ inch BSP male connector	Page 2
	Gas Input - 44 MJ high - 23 MJ low	Page 2
	Manifold pressure High (Nat Gas) 0.69 Kpa Low (Nat Gas) 0.22 Kpa High (LPG) 2.25 Kpa Low (LPG) 0.63 Kpa	Manifold pressure is factory set. To check pressure and adjust refer to page 8 of the customer operation information and installation instructions
Electrician	Standard flex 2m, 3pin plug provided. Requires power point with double pole isolation switch	Page 2

Added Literature

All information contained in this mini summary is correct at the time of publication. This is only a summary and should be read in conjunction with the full installation instructions. Pictures are representative only and are not drawn to scale. Installation should be carried out by licensed gas fitter and electrical work carried out by a licensed electrician.