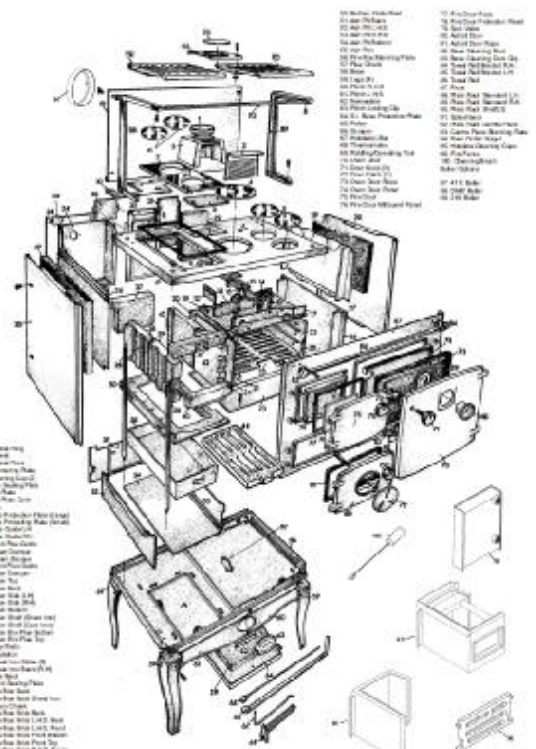
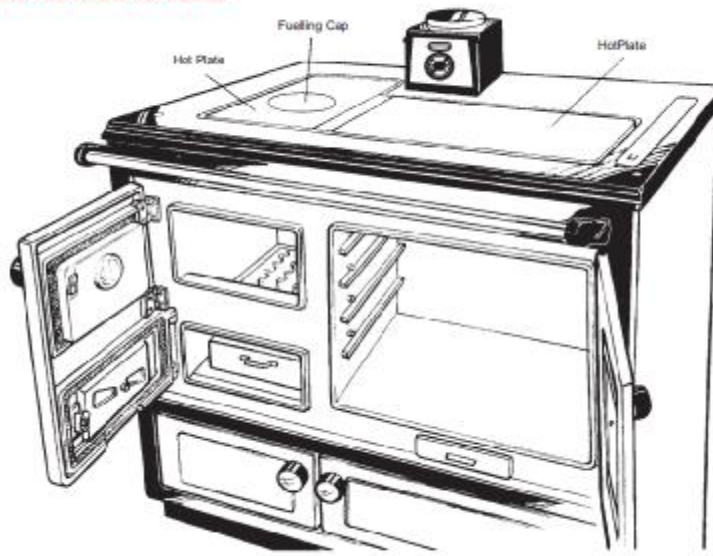


# Cast Iron Features

- Cast iron is the Master Stovemaker's metal of choice
- It allows for artistic and design flexibility
- It has high thermal mass and excellent heat radiating characteristics
- It is extremely durable with long life-expectancy
- Cast iron construction makes service easy
- Cast iron is 100% recyclable
- Unlike steel stoves where only a few parts are replaceable, Cast Iron cooker parts are all replaceable.



# Why do Cast Iron Cookers produce such wonderful flavours to baking and maintain so much succulent moistness to roasts?



Answer:

The heat from the firebox is circulated under the cooktop and around the outside air paths of the cooker radiating a soft and gentle indirect heat to the inside of the ovens, so unlike the harsh dry heat as experienced in electric and gas cookers, the cast iron ovens produce beautiful flavours and moist succulent roasts.

