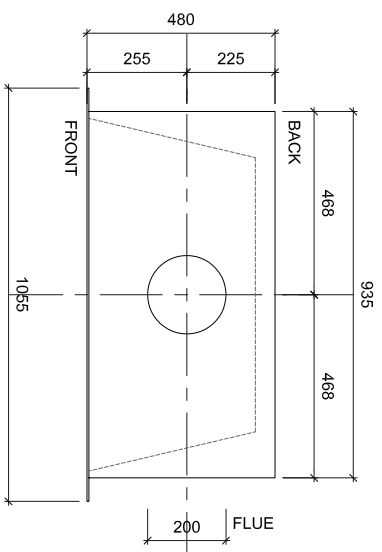


**'B' SERIES MODEL NOTES :**

- ALL BROADY'S FIREPOWER UNITS HAVE BEEN TESTED TO AS/NZS 7421:1990. CLEARANCES VARY FOR EACH MODEL AND YOU SHOULD CHECK WITH YOUR LOCAL COUNCIL REGULATIONS PRIOR TO INSTALLING FIREPLACES

- ALL BROADY'S FIREPOWER UNITS SHALL BE INSTALLED TO THE REQUIREMENTS OF THE AS/NZS 2918:2001

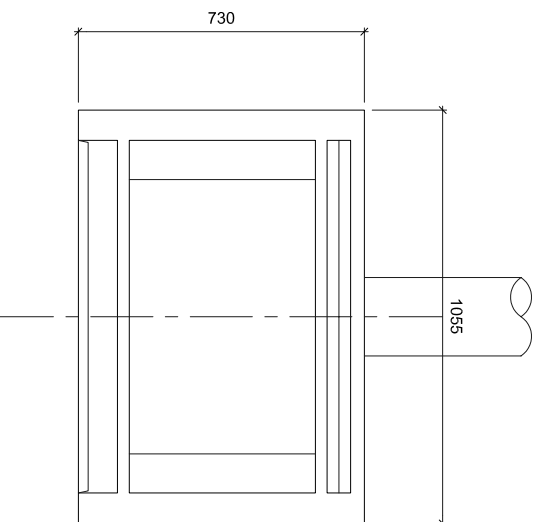
- IT IS THE HOUSE OWNERS RESPONSIBILITY TO HAVE THE CORRECT CONSENTS LODGED AND APPROVED BY THE LOCAL COUNCIL. YOUR INSTALLER CAN ASSIST WITH THIS.



**1 PLAN**

B900

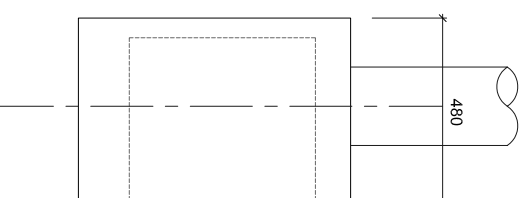
SCALE 1:20



**2 FRONT ELEVATION**

B900

SCALE 1:20



**3 SIDE ELEVATION**

B900

SCALE 1:20



SPECIALISING IN COOKERS, WOODSTOVES & FIREPLACES SINCE 1885

TITLE:

**B900 FIRE BOX**

COMPONENTS

SCALE:

A4 1:20

DATE:

FEB 06

**BROADY'S NZ LIMITED**

46a SIR WILLIAM AVENUE, EAST TAMAKI

PO BOX 58-183-GREENMOUNT, AUCKLAND

www.broadys.co.nz

T. +64 9 274 0658

F. +64 9 272 2519