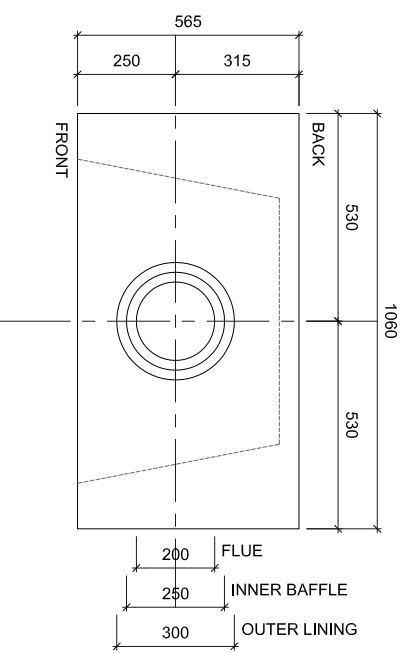
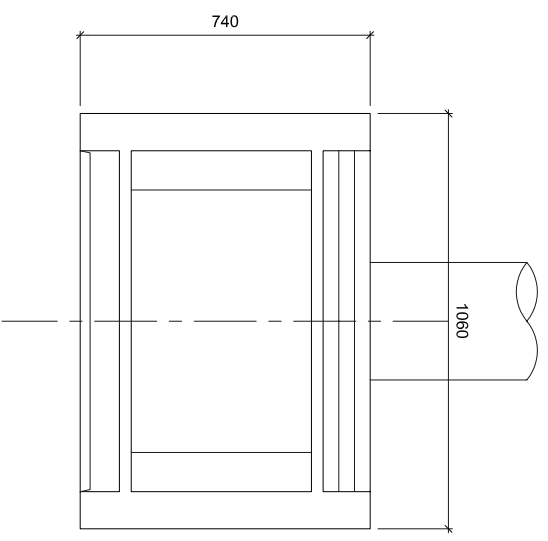


**'A' SERIES MODEL NOTES :**

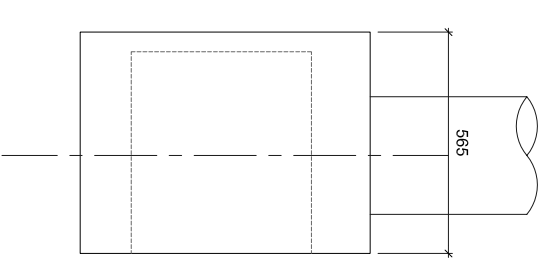
- ALL BROADY'S FIREPOWER UNITS HAVE BEEN TESTED TO AS/NZS 7421:1990. CLEARANCES VARY FOR EACH MODEL AND YOU SHOULD CHECK WITH YOUR LOCAL COUNCIL REGULATIONS PRIOR TO INSTALLING FIREPLACES
- ALL BROADY'S FIREPOWER UNITS SHALL BE INSTALLED TO THE REQUIREMENTS OF THE AS/NZS 2918:2001
- IT IS THE HOUSE OWNERS RESPONSIBILITY TO HAVE THE CORRECT CONSENTS LODGED AND APPROVED BY THE LOCAL COUNCIL. YOUR INSTALLER CAN ASSIST WITH THIS.




**1 PLAN**  
A900  
SCALE 1:20



**2 FRONT ELEVATION**  
A900  
SCALE 1:20



**3 SIDE ELEVATION**  
A900  
SCALE 1:20

	
<p>SPECIALISING IN COOKERS, WOODSTOVES &amp; FIREPLACES SINCE 1885</p>	
<p><b>TITLE:</b></p> <p><b>A900 FIRE BOX COMPONENTS</b></p>	
<p><b>SCALE:</b></p> <p>A4 1:20</p>	<p><b>DATE:</b></p> <p>FEB 06</p>
<p><b>BROADY'S NZ LIMITED</b></p> <p>46a SIR WILLIAM AVENUE, EAST TAMAKI</p> <p>PO BOX 58-183-GREENMOUNT, AUCKLAND</p> <p>www.broadys.co.nz</p>	
<p>T. +64 9 274 0658      F. +64 9 272 2519</p>	