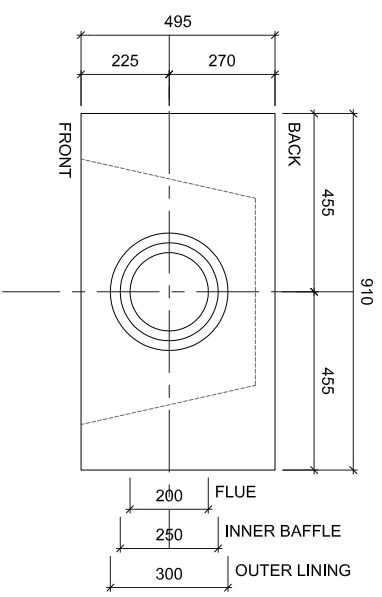
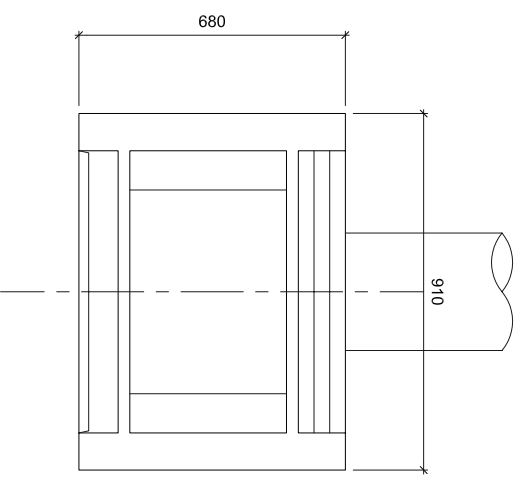


'A' SERIES MODEL NOTES :

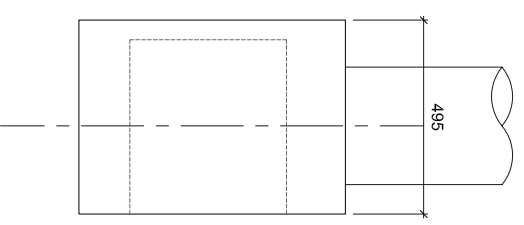
- ALL BROADY'S FIREPOWER UNITS HAVE BEEN TESTED TO AS/NZS 7421:1990. CLEARANCES VARY FOR EACH MODEL AND YOU SHOULD CHECK WITH YOUR LOCAL COUNCIL REGULATIONS PRIOR TO INSTALLING FIREPLACES
- ALL BROADY'S FIREPOWER UNITS SHALL BE INSTALLED TO THE REQUIREMENTS OF THE AS/NZS 2918:2001
- IT IS THE HOUSE OWNERS RESPONSIBILITY TO HAVE THE CORRECT CONSENTS LODGED AND APPROVED BY THE LOCAL COUNCIL. YOUR INSTALLER CAN ASSIST WITH THIS.



1 PLAN
A750
SCALE 1:20



2 FRONT ELEVATION
A750
SCALE 1:20



3 SIDE ELEVATION
A750
SCALE 1:20



SPECIALISING IN COOKERS, WOODSTOVES & FIREPLACES SINCE 1885

TITLE:
A750 FIRE BOX
COMPONENTS

SCALE:	DATE:
A4 1:20	FEB 06

BROADY'S NZ LIMITED

46a SIR WILLIAM AVENUE, EAST TAMAKI
PO BOX 58-183-GREENMOUNT, AUCKLAND
www.broadys.co.nz
T. +64 9 274 0658 F. +64 9 272 2519